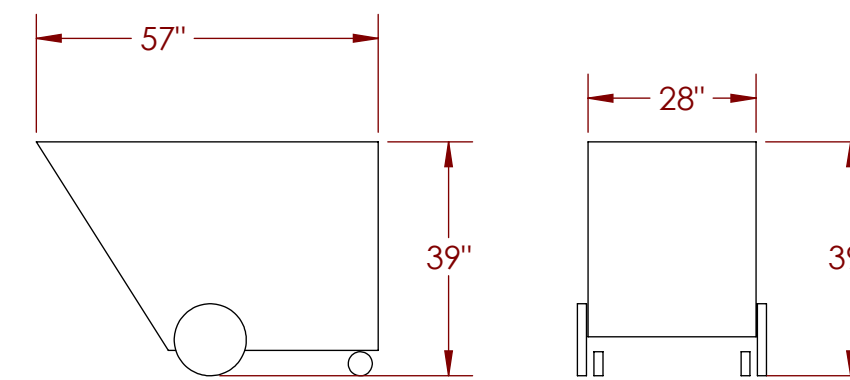
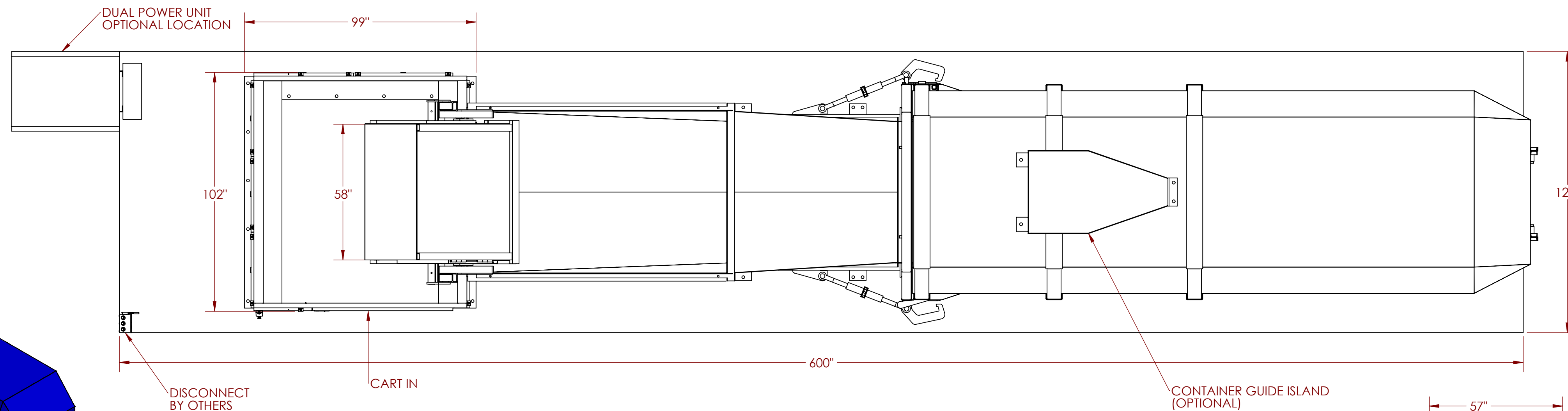
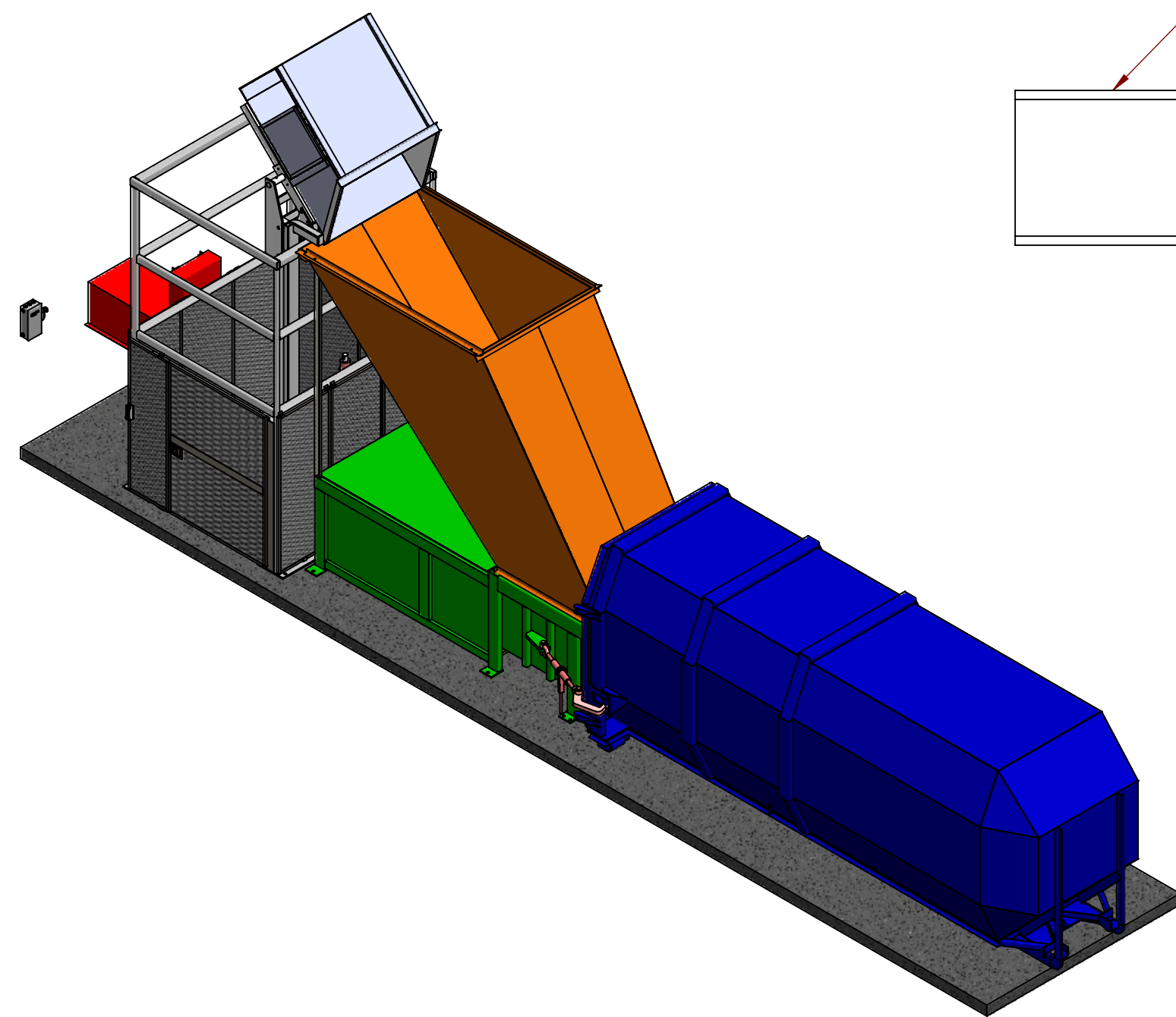


THIS DRAWING IS THE EXCLUSIVE PROPERTY OF SP INDUSTRIES, INC. AND EMBODIES A CONFIDENTIAL PROPRIETARY DESIGN. SP INDUSTRIES, INC. RESERVES ALL PROPRIETARY RIGHTS IN THIS DRAWING AND IN THE SUBJECT MATERIAL AND INVENTIONS DISCLOSED THEREIN, INCLUDING THE EXCLUSIVE RIGHT TO USE THE DRAWING FOR ALL PURPOSES. THIS DRAWING IS SUBMITTED UNDER A CONFIDENTIAL RELATIONSHIP FOR A SPECIFIC PURPOSE, AND THE RECIPIENT AGREES BY ACCEPTING THIS DRAWING TO NOT TO ALLOW THIS DRAWING TO BE REPRODUCED OR TO SUPPLY OR DISCLOSE ANY INFORMATION REGARDING THE DRAWING OR THE SUBJECT MATTER THEREOF TO ANY OTHER PERSON WITHOUT THE EXPRESS WRITTEN CONSENT OF SP INDUSTRIES, INC.

SYM.	CHANGE OR REVISION	DATE	BY



CUSTOMER'S CARTS
*ALL CARTS MUST BE VERIFIED ACCURATELY BY SHIPPING CART TO SP-INDUSTRIES OR DETAILED DIMENSIONS OF THE CART.

SP INDUSTRIES
HOPKINS, MICHIGAN 49328

PRINT APPROVAL REQUEST

APPROVED AS SHOWN
 APPROVED AS MARKED
 NOT APPROVED COMMENTS _____

SIGNED _____ DATE _____

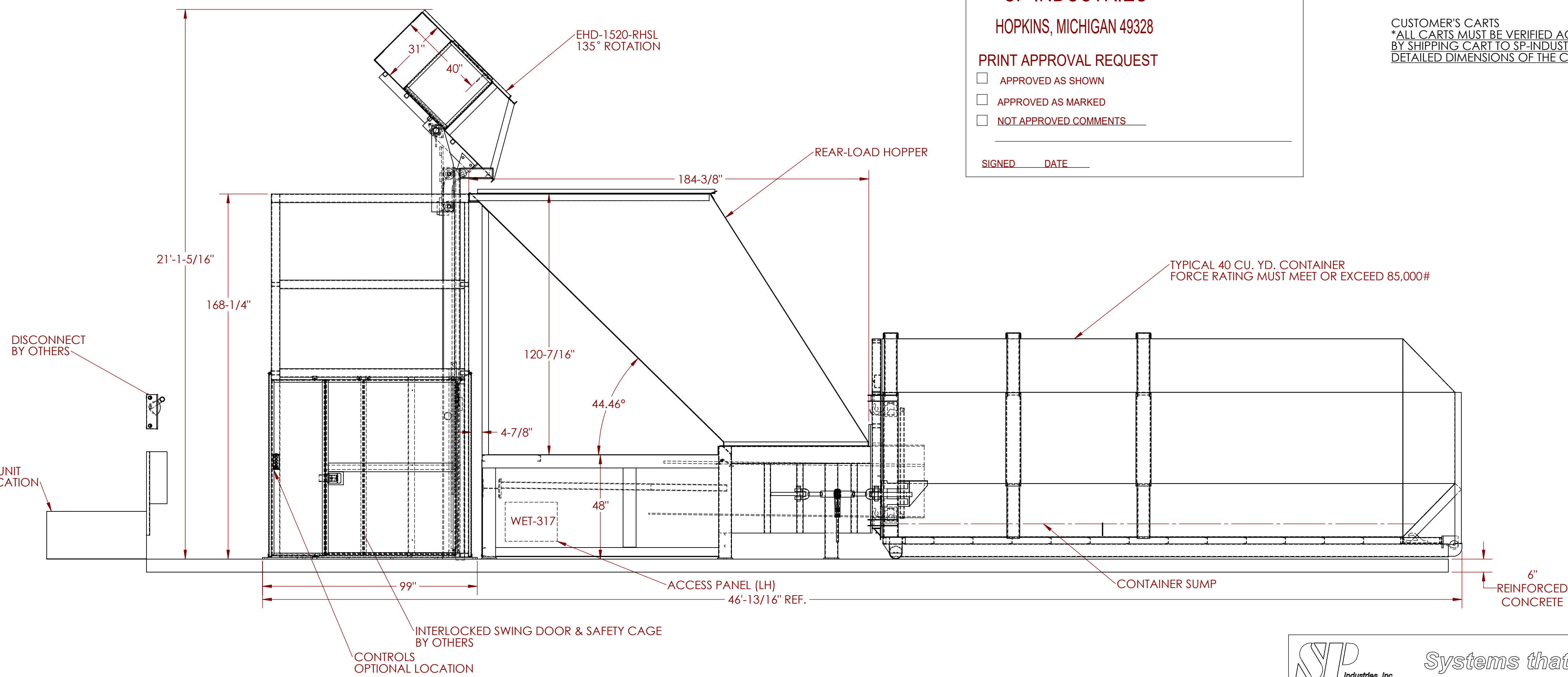
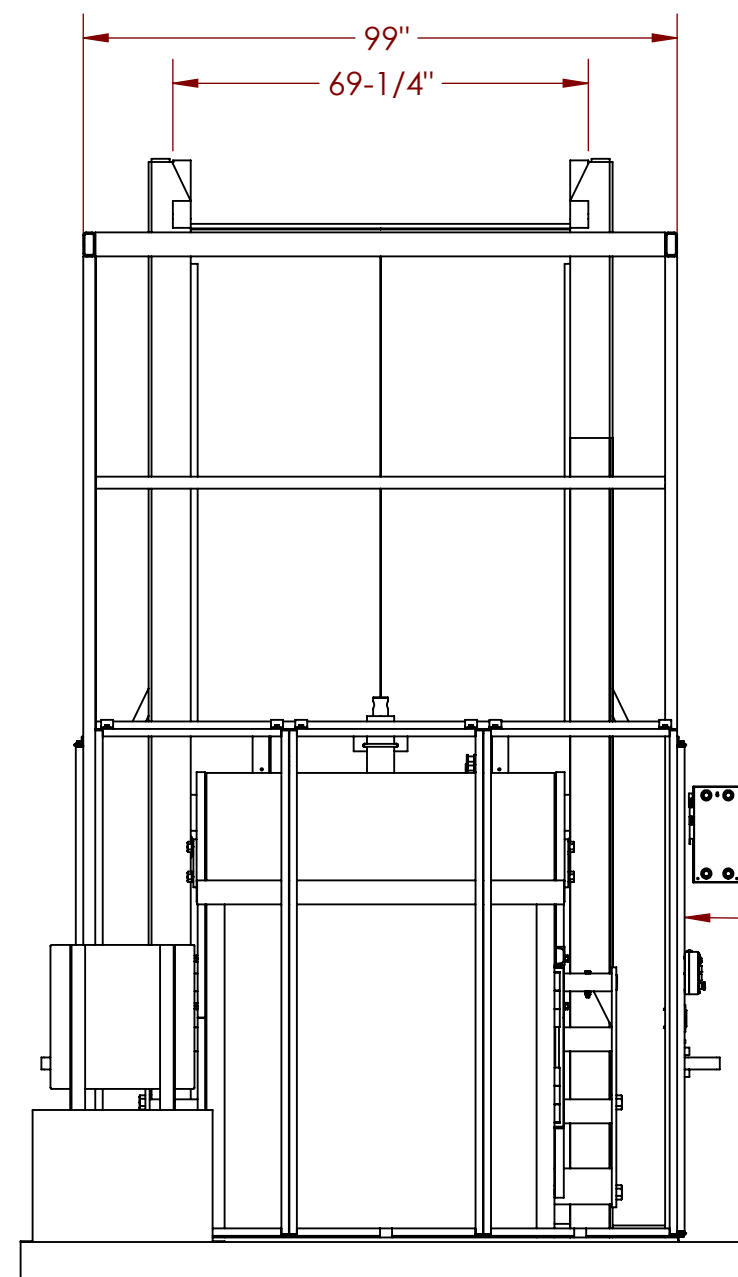


TABLE 1 DISCONNECT & VARIABLE COMPONENTS
COMPONENT VALUES MARKED WITH ASTERISK (*) ARE RECOMMENDED VALUES ONLY FOR A 15HP & 10 HP MOTOR. INSTALLING CONTRACTOR MUST CONSULT ALL LOCAL CODES FOR CONFORMITY.

VOLTAGE 3Ø-VAC	FULL LOAD MTR. CURRENT- AMP	SIZE OF (*) DISCONNECT	SIZE OF (*) FUSES (AMP)	RECOMM. (*) WIRE SIZE
208	77	100	100	3
230	70	100	100	4
460	35	60	50	8

SP Industries, Inc. *Systems that Work!* HOPKINS, MI

TOLERANCES
FRAC. ±1/16
.XX ±.015
.XXX ±.005

TITLE
PROPOSED INSTALLATION OF A WET-317 COMPACTOR, BEING FED BY A EHD-1520-RHSL WITH A REAR-LOAD HOPPER

DRAWN C. JOHNSON	DATE 6/10/2015	SCALE- 1:32	DRAWING NO. DP-27067	REV.
CHECKED	JOB NO.	WEIGHT:		

REV. DP-27067