

THIS DRAWING IS THE EXCLUSIVE PROPERTY OF SPARTAN WASTE PAC, INC. AND EMBODIES A CONFIDENTIAL PROPRIETARY DESIGN. SPARTAN WASTE PAC, INC. RESERVES ALL PROPRIETARY RIGHTS ON THIS DRAWING AND ON THE SUBJECT MATTER AND INVENTIONS DISCLOSED THEREIN, INCLUDING THE EXCLUSIVE RIGHT TO USE THE DRAWING FOR ALL PURPOSES. THIS DRAWING IS SUBMITTED UNDER A CONFIDENTIAL RELATIONSHIP FOR A SPECIFIC PURPOSE, AND THE RECIPIENT AGREES, BY ACCEPTING THIS DRAWING, NOT TO ALLOW THIS DRAWING TO BE REPRODUCED OR TO SUPPLY OR DISCLOSE ANY INFORMATION REGARDING THIS DRAWING OR THE SUBJECT MATTER THEREOF TO ANY OTHER PERSON WITHOUT THE EXPRESS WRITTEN CONSENT OF SPARTAN WASTE PAC, INC.

SYM.	CHANGE OR REVISION	DATE	BY
B	CHANGED LAYOUT PER NEW SITE INFORMATION	10/7/16	CJ

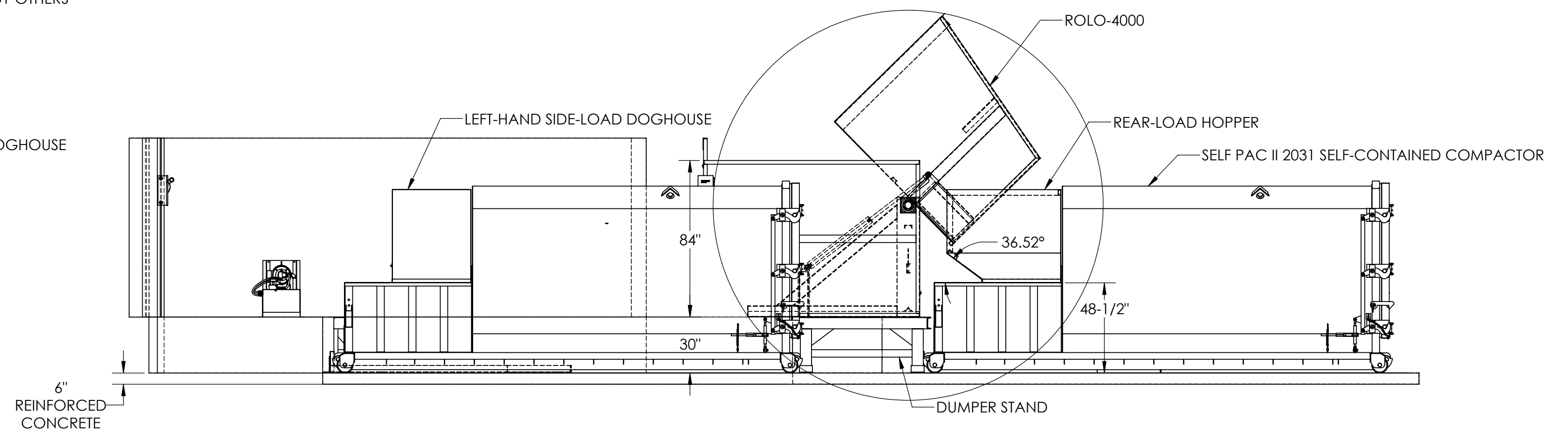
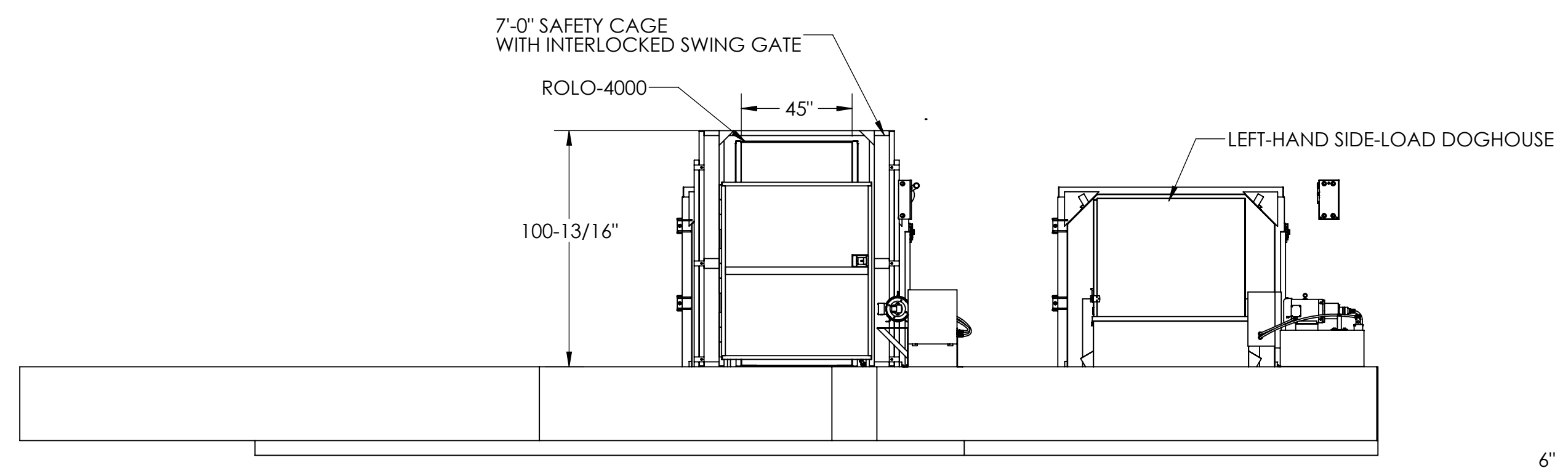
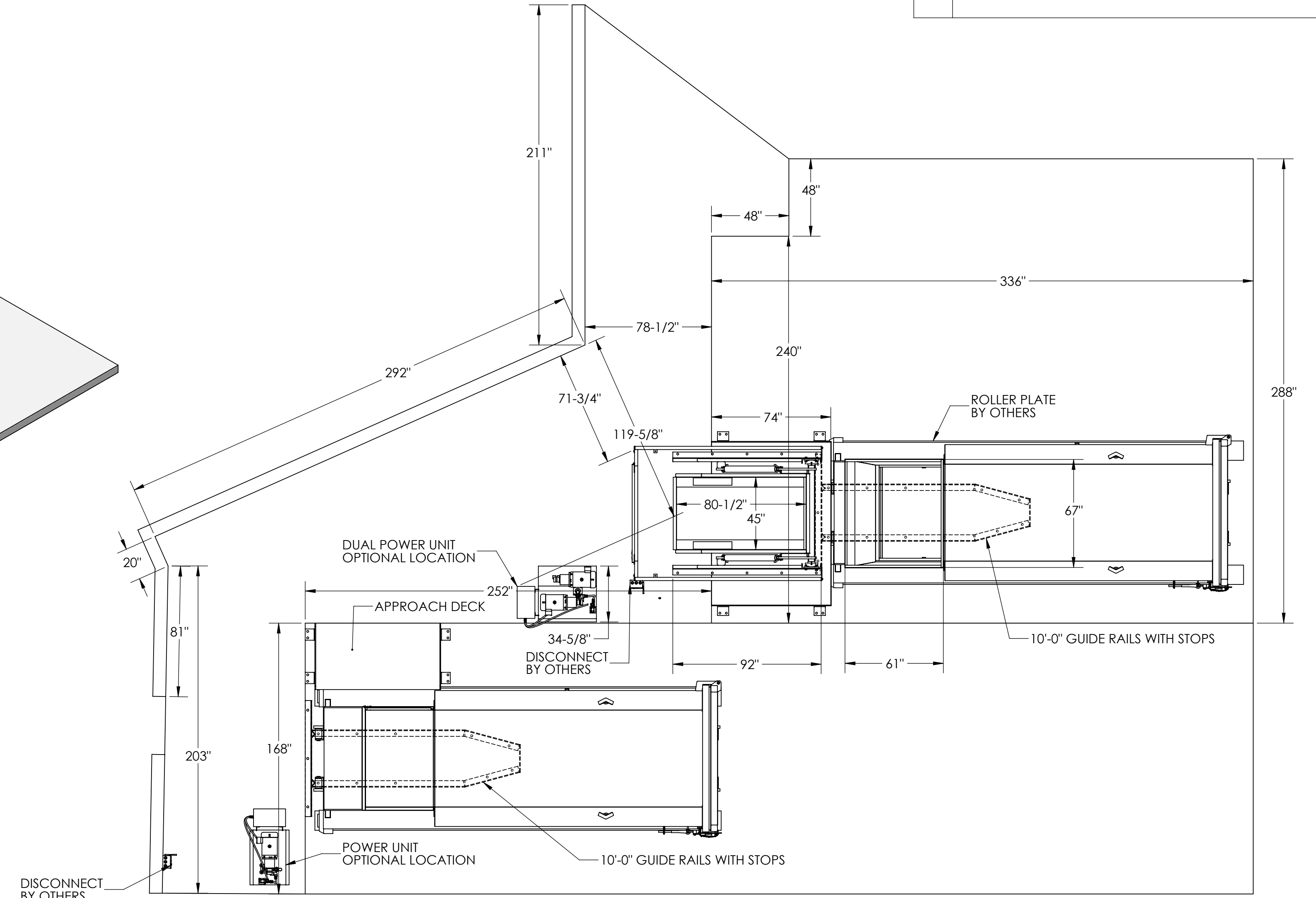
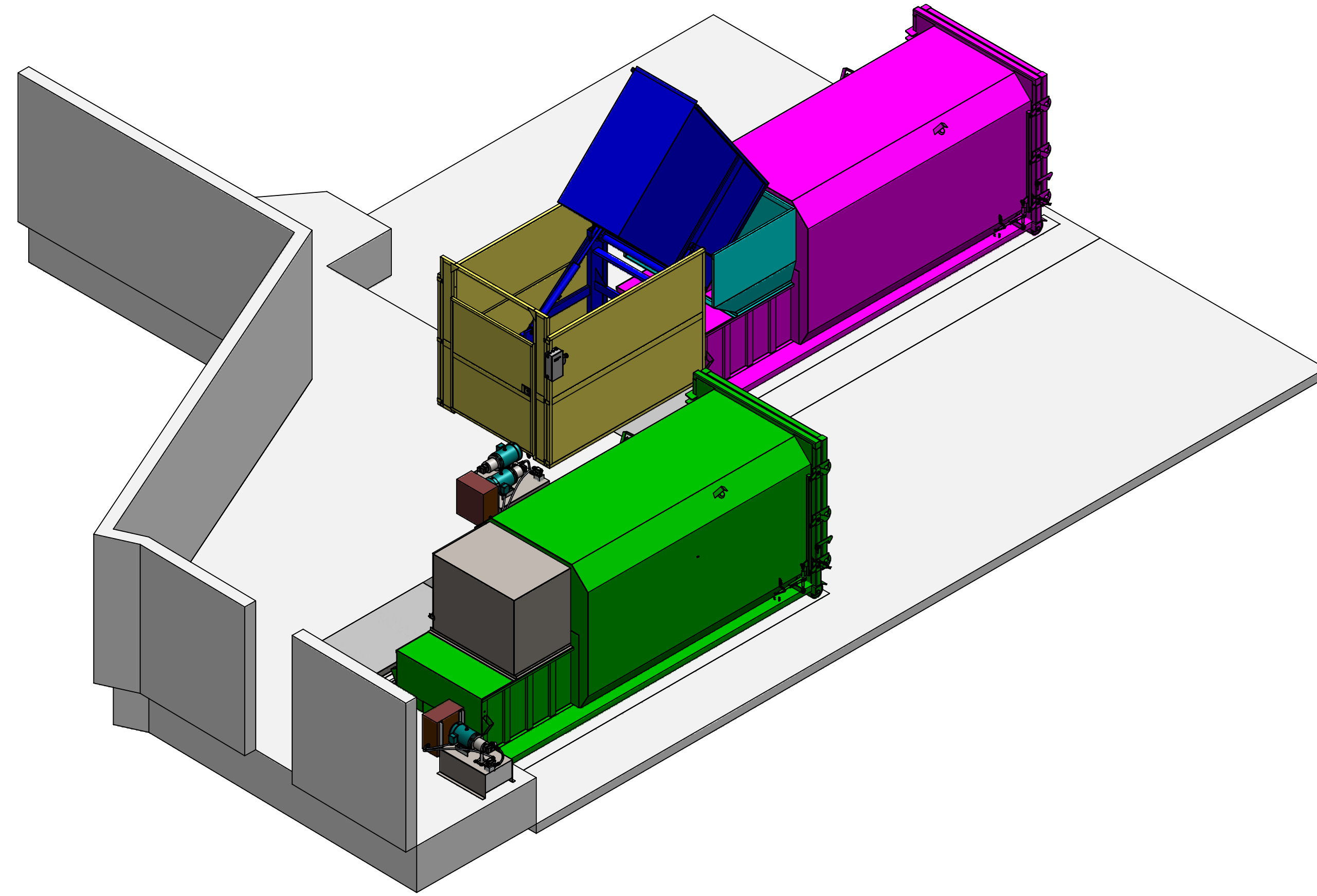


TABLE 1 DISCONNECT & VARIABLE COMPONENTS
 COMPONENT VALUES MARKED WITH ASTERISK (*) ARE RECOMMENDED VALUES ONLY FOR A MOTOR 10HP&10HP/10HP. INSTALLING CONTRACTOR MUST CONSULT ALL LOCAL CODES FOR CONFORMITY.

VOLTAGE 3 Ø -VAC	FULL LOAD MTR. CURRENT- AMP	SIZE OF (*) DISCONNECT	SIZE OF (*) FUSES (AMP)	RECOMM. (*) WIRE SIZE
208	30.8/61.6	60/100	40.0/80.0	8/4
230	28.0/56.0	60/100	35.0/70.0	8/6
460	14.0/28.0	30/60	17.5/35.0	10/8

Spartan Waste-Pac HOPKINS, MI

TOLERANCES
 FRAC. ±1/16
 .XX ±.015
 .XXX ±.005

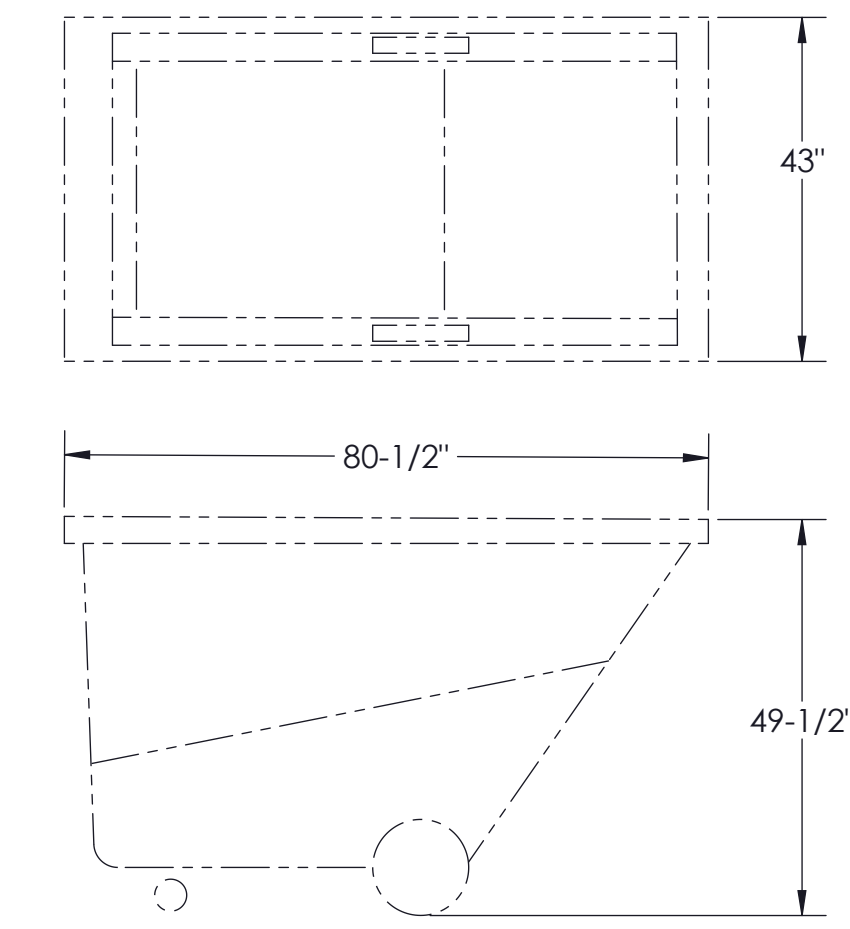
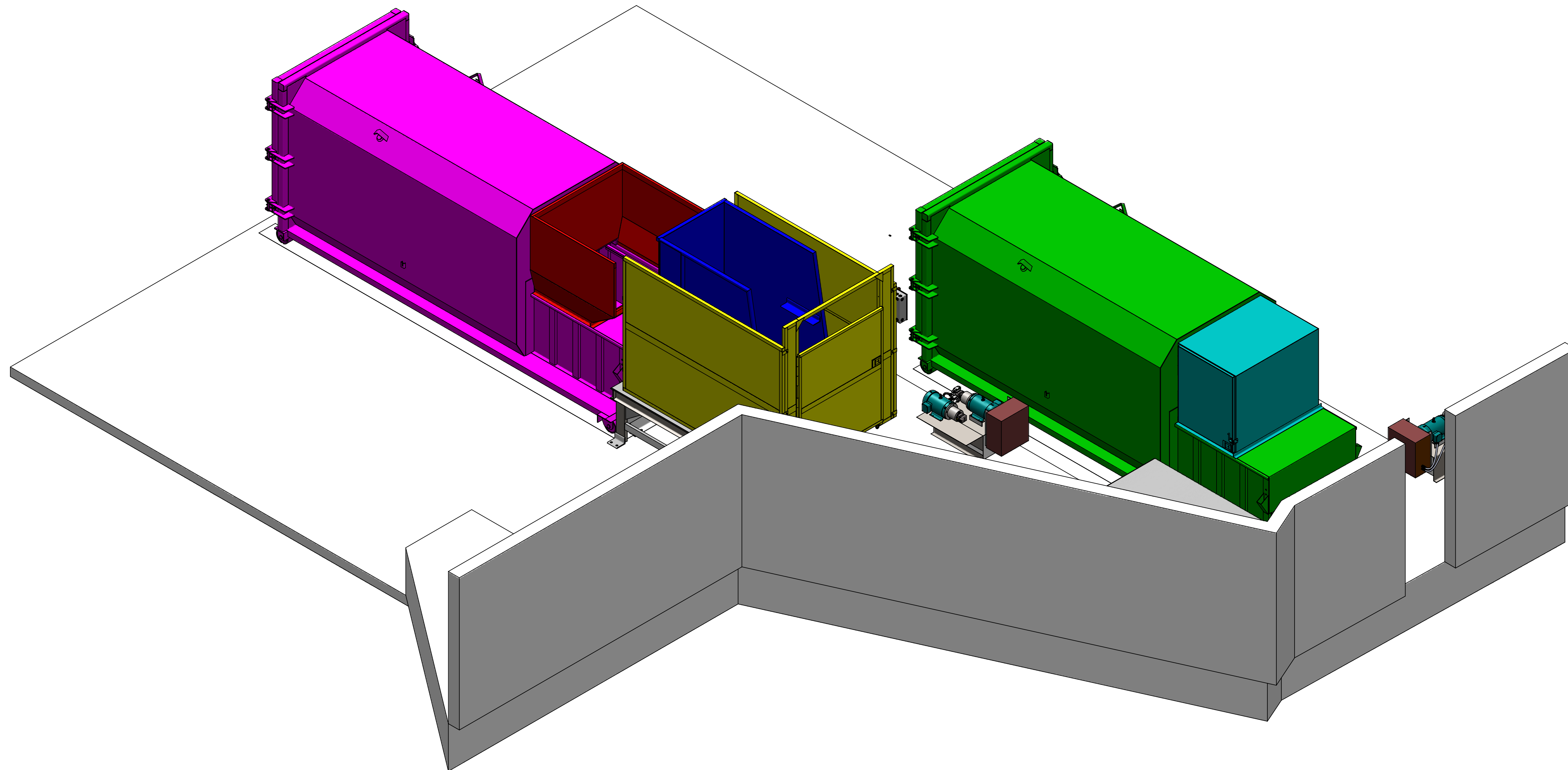
TITLE PROPOSED INSTALLATION OF (2) SPARTAN WASTE PAC II 2031 WITH A ROLO-4000 DUMPING CUSTOMER'S CARTS AND A REAR-LOAD DOGHOUSE

USED ON: SCS-STD.	SUBCATEGORY: SALE PROPOSAL	SHEET: 1 TO 2	DRAWING NO. DP-27235B
DRAWN C. JOHNSON	DATE 6/13/2016	SCALE- 1:32	REV.
CHECKED	JOB NO. #	WEIGHT:	

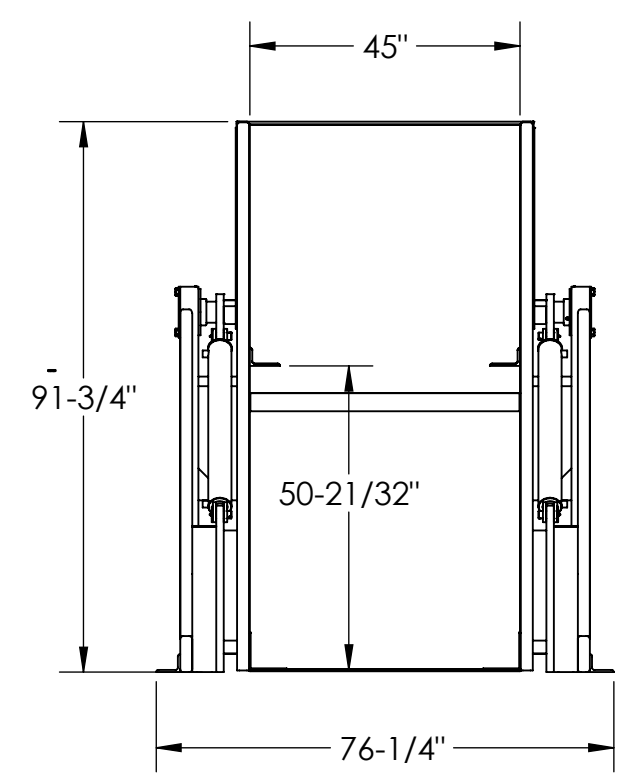
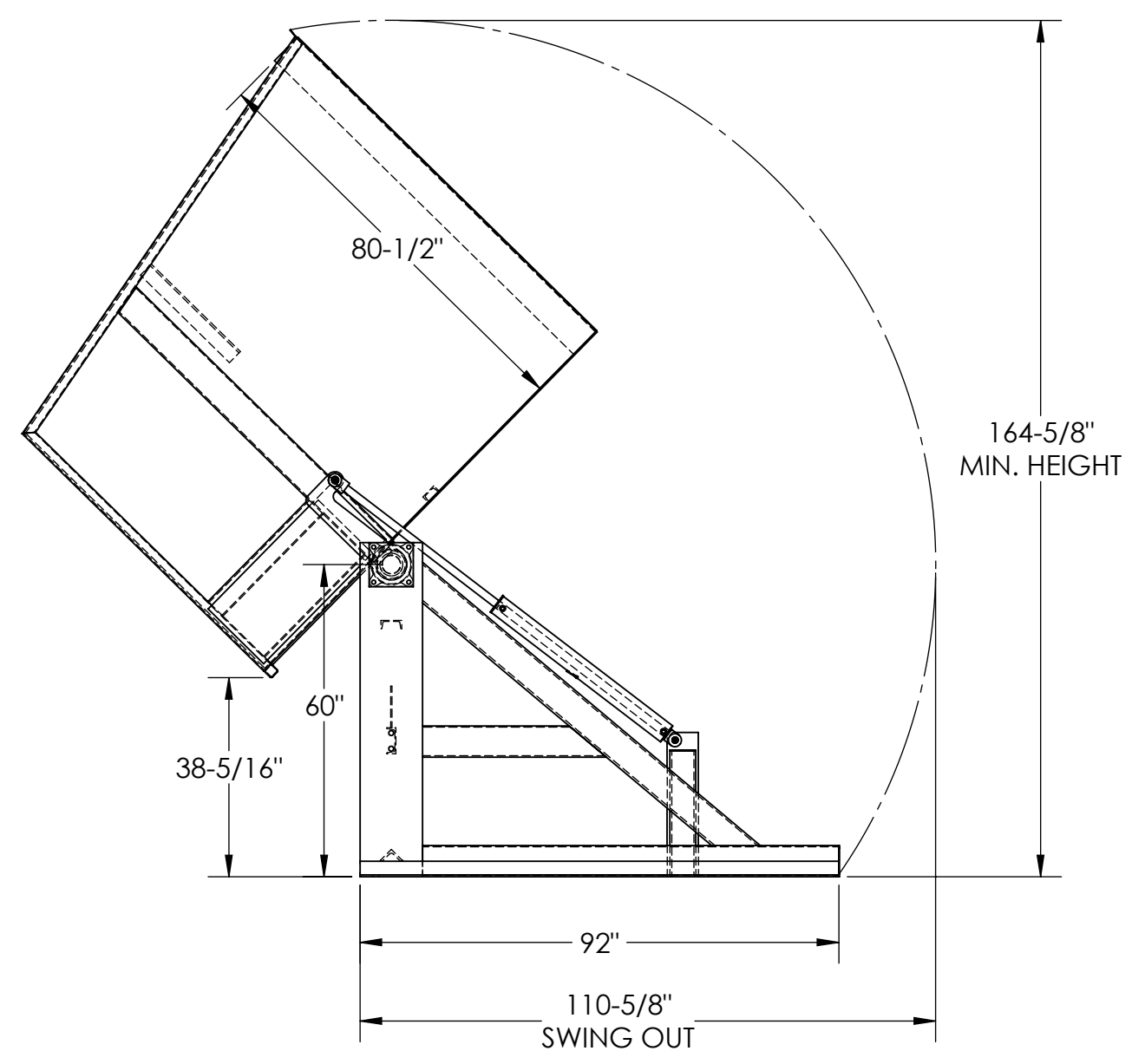
D DP-27235B

THIS DRAWING IS THE EXCLUSIVE PROPERTY OF SPARTAN WASTE PAC, INC. AND EMBODIES A CONFIDENTIAL PROPRIETARY DESIGN. SPARTAN WASTE PAC, INC. RESERVES ALL PROPRIETARY RIGHTS ON THIS DRAWING AND ON THE SUBJECT MATTER AND INVENTIONS DISCLOSED THEREIN, INCLUDING THE EXCLUSIVE RIGHT TO USE THE DRAWING FOR ALL PURPOSES. THIS DRAWING IS SUBMITTED UNDER A CONFIDENTIAL RELATIONSHIP FOR A SPECIFIC PURPOSE, AND THE RECIPIENT AGREES, BY ACCEPTING THIS DRAWING, NOT TO ALLOW THIS DRAWING TO BE REPRODUCED OR TO SUPPLY OR DISCLOSE ANY INFORMATION REGARDING THIS DRAWING OR THE SUBJECT MATTER THEREOF TO ANY OTHER PERSON WITHOUT THE EXPRESS WRITTEN CONSENT OF SPARTAN WASTE PAC, INC.

SYM.	CHANGE OR REVISION	DATE	BY
B	CHANGED LAYOUT PER NEW SITE INFORMATION	10/7/16	CJ



CUSTOMER'S CART RUBBERMAID 1026
 *FOR ACCURATE BUILD, NEED
 DETAILED CART INFORMATION AND
 DIMENSIONING OR NEED CART
 SHIPPED TO SP-INDUSTRIES



		Spartan Waste-Pac		HOPKINS, MI	
		TITLE: PROPOSED INSTALLATION OF (2) SPARTAN WASTE PAC II 2031 WITH A ROLO-4000 DUMPING CUSTOMER'S CARTS AND A REAR-LOAD DOGHOUSE			
TOLERANCES FRAC. ±1/16 .XX ±.015 .XXX ±.005	USED ON: SCS-STD.	SUBCATEGORY: SALE PROPOSAL	SHEET: 2 TO 2	DRAWING NO. DP-27235B	REV.
DRAWN C. JOHNSON	DATE 6/13/2016	SCALE: 1:24	WEIGHT:	#	#

D DP-27235B