

THIS DRAWING IS THE EXCLUSIVE PROPERTY OF SP INDUSTRIES, INC. AND EMBODIES A CONFIDENTIAL PROPRIETARY DESIGN. SP INDUSTRIES, INC. RESERVES ALL PROPRIETARY RIGHTS IN THIS DRAWING AND IN THE SUBJECT MATERIAL AND INVENTIONS DISCLOSED HEREIN, INCLUDING THE EXCLUSIVE RIGHT TO USE THE DRAWING FOR ALL PURPOSES. THIS DRAWING IS SUBMITTED UNDER A CONFIDENTIAL RELATIONSHIP FOR A SPECIFIC PURPOSE, AND THE RECIPIENT AGREES BY ACCEPTING THIS DRAWING TO NOT TO ALLOW THIS DRAWING TO BE REPRODUCED OR TO SUPPLY OR DISCLOSE ANY INFORMATION REGARDING THIS DRAWING OR THE SUBJECT MATTER THEREOF TO ANY OTHER PERSON WITHOUT THE EXPRESS WRITTEN CONSENT OF SP INDUSTRIES, INC.

# SP INDUSTRIES

HOPKINS, MICHIGAN 49328

## PRINT APPROVAL REQUEST

- APPROVED AS SHOWN
- APPROVED AS MARKED
- NOT APPROVED COMMENTS \_\_\_\_\_

SIGNED \_\_\_\_\_ DATE \_\_\_\_\_

SYM.	CHANGE OR REVISION	DATE	BY
A	MOVED POWER UNIT, ADDED HOPPER PER CUSTOMERS SPECS & PLATFORM	8/19/16	CJ
B	CHANGED LAYOUT PER SITE VISIT	10/6/16	CJ
C	ADDED 12" SNOUT EXTENSION	10/11/16	CJ
D	ADDED DIMENSIONS FOR TRAILER LATCH SYSTEM	10/12/16	CJ
E	MOVED TRAILER LATCH DOWN	10/12/16	CJ
F	CHANGED STAND PER NEW TRAILER INFORMATION	10/14/16	CJ

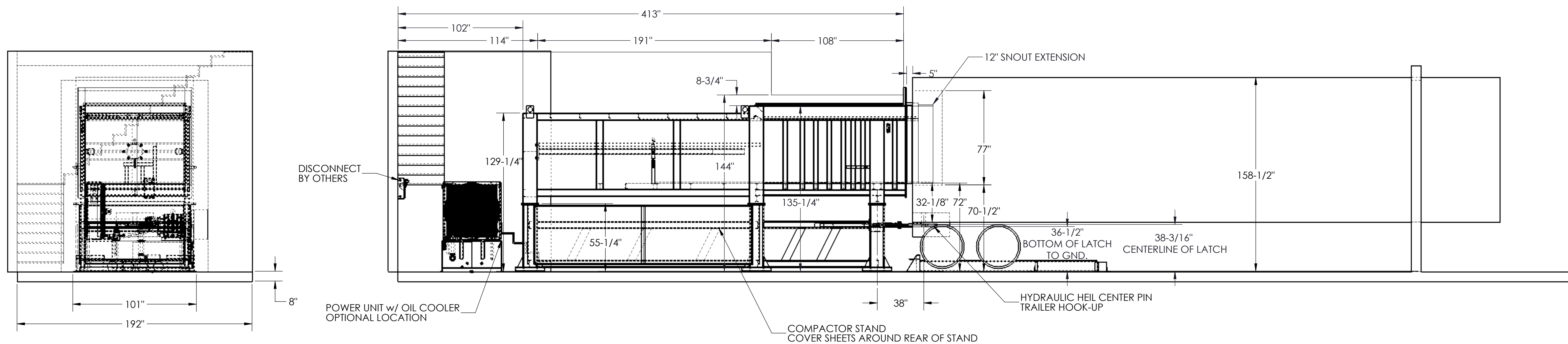
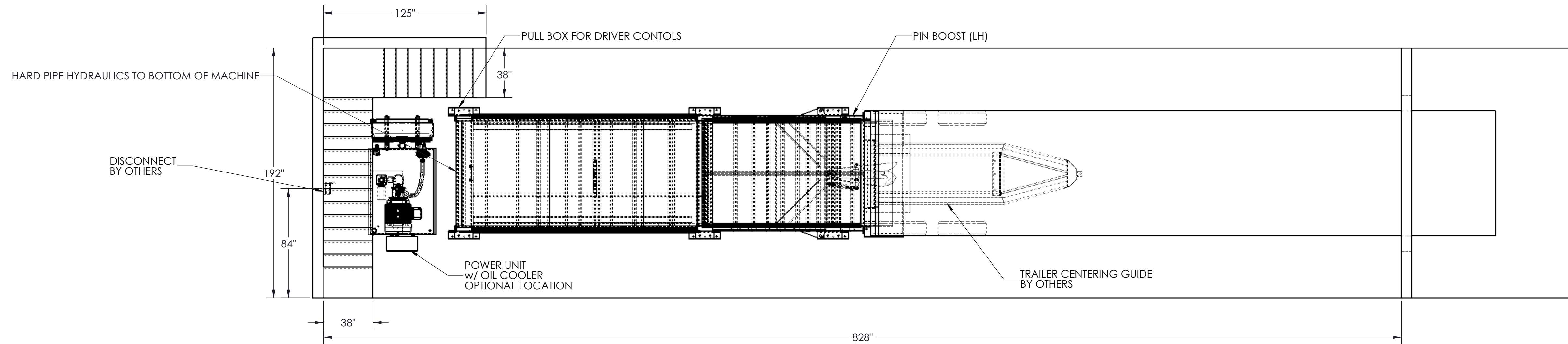


TABLE 1 DISCONNECT & VARIABLE COMPONENTS  
 COMPONENT VALUES MARKED WITH ASTERISK (\*) ARE RECOMMENDED  
 VALUES ONLY FOR A 75HP MOTOR. INSTALLING CONTRACTOR MUST CONSULT  
 ALL LOCAL CODES FOR CONFORMITY.

VOLTAGE	FULL LOAD MTR. CURRENT- AMP	SIZE OF (*) DISCONNECT	SIZE OF (*) FUSES (AMP)	RECOMM. (*) WIRE SIZE
3 $\phi$ -VAC	96.0	200	125.0	2

**ISP Industries, Inc.** *Systems that Work!* HOPKINS, MI

TOLERANCES  
 FRAC.  $\pm 1/16$   
 .XX  $\pm .015$   
 .XXX  $\pm .005$

TITLE: PROPOSED INSTALLATION OF A CP-13001 ON A STAND LOADING A OTR TRAILER

DRAWN: C. JOHNSON	DATE: 7/19/2016	USED ON: CP-13001	BUILD: SALES PROPOSAL	REV: F
TEMPLATE SIZE: D	JOB NO:	SCALE: 1:48	DRAWING NO:	
CHECKED BY:	WEIGHT: #	SHEET: 1 OF 2	DP-27247F	

THIS DRAWING IS THE EXCLUSIVE PROPERTY OF SP INDUSTRIES, INC. AND EMBODIES A CONFIDENTIAL PROPRIETARY DESIGN. SP INDUSTRIES, INC. RESERVES ALL PROPRIETARY RIGHTS IN THIS DRAWING AND IN THE SUBJECT MATERIAL AND INVENTIONS DISCLOSED HEREIN, INCLUDING THE EXCLUSIVE RIGHT TO USE THE DRAWING FOR ALL PURPOSES. THIS DRAWING IS SUBMITTED UNDER A CONFIDENTIAL RELATIONSHIP FOR A SPECIFIC PURPOSE AND THE RECIPIENT AGREES BY ACCEPTING THIS DRAWING TO NOT TO ALLOW THIS DRAWING TO BE REPRODUCED OR TO SUPPLY OR DISCLOSE ANY INFORMATION REGARDING THE DRAWING OR THE SUBJECT MATTER THEREOF TO ANY OTHER PERSON WITHOUT THE EXPRESS WRITTEN CONSENT OF SP INDUSTRIES, INC.

# SP INDUSTRIES

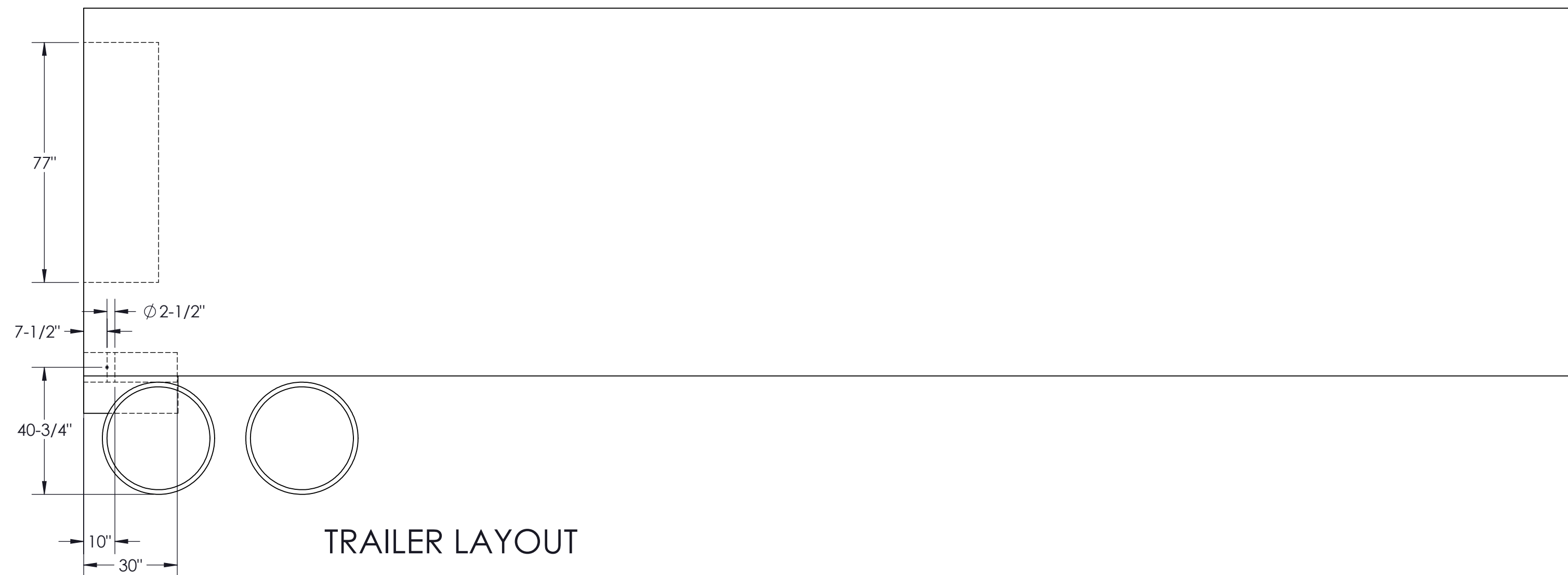
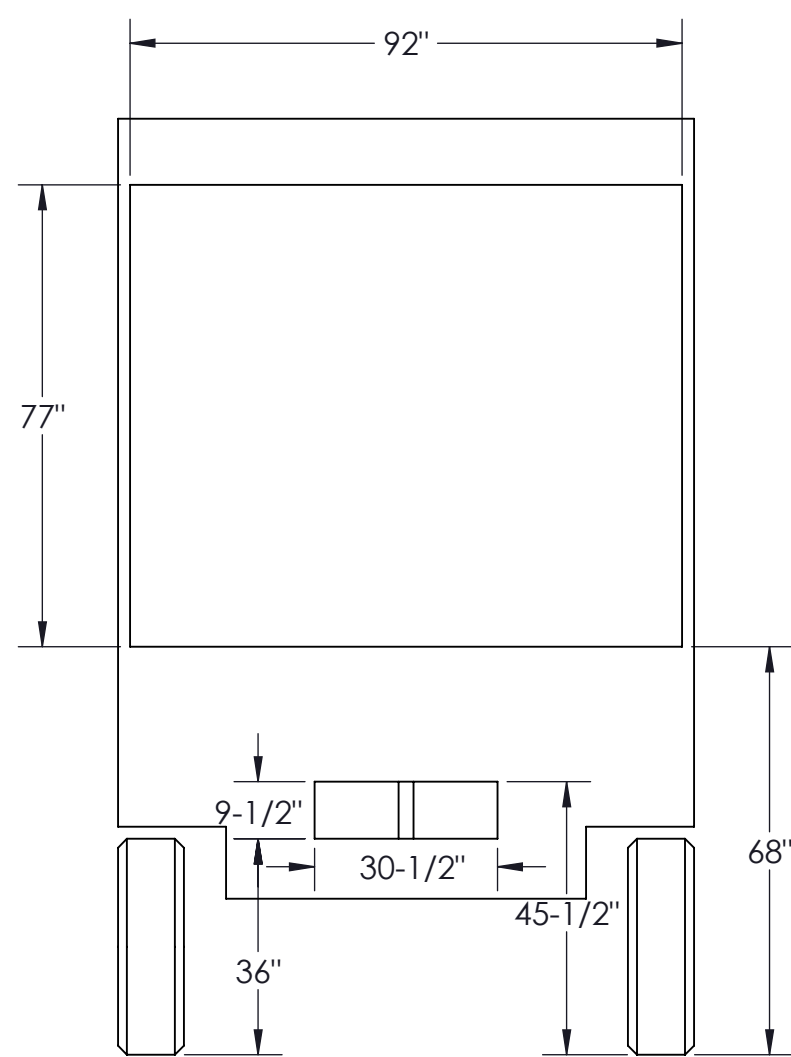
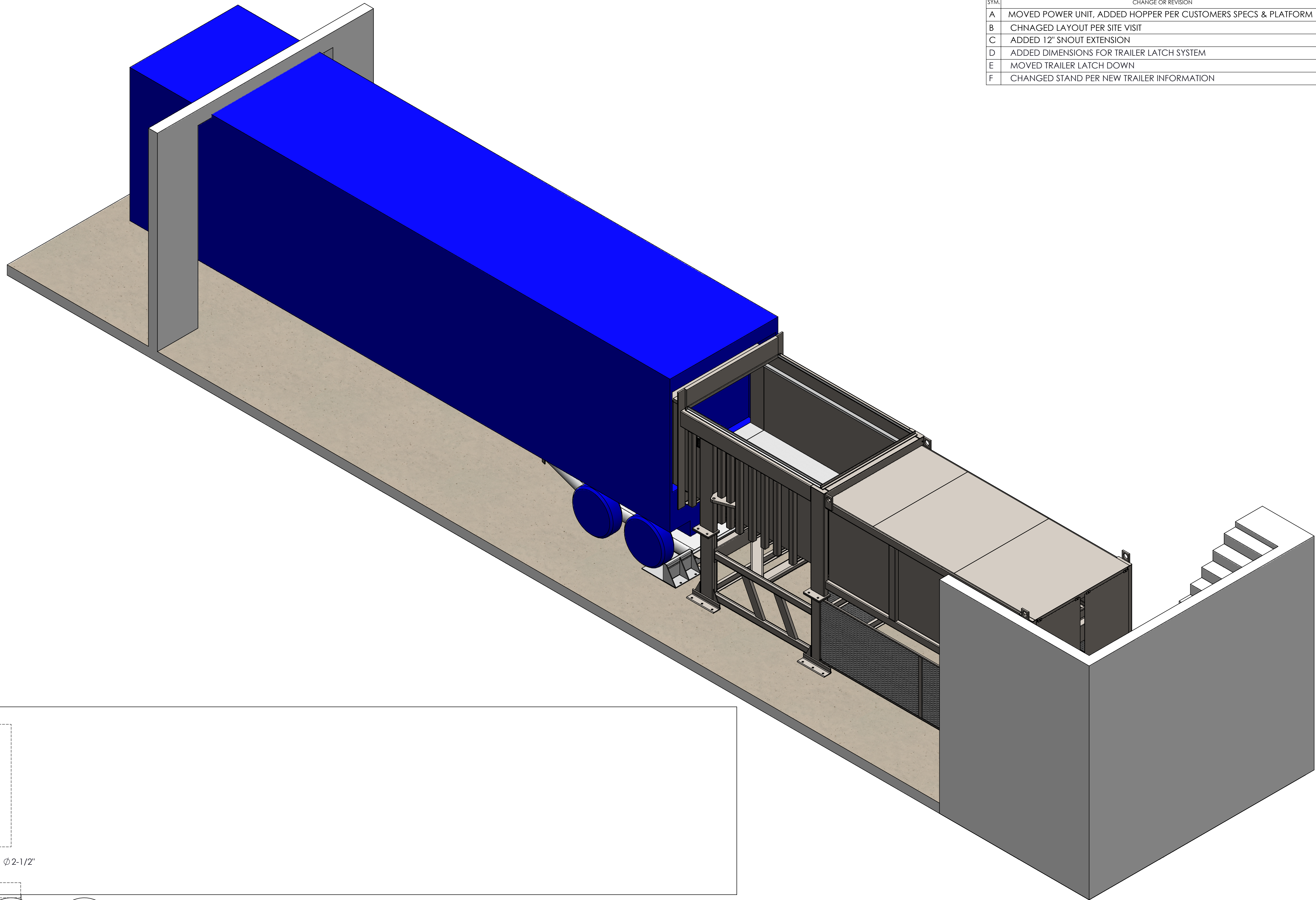
HOPKINS, MICHIGAN 49328

## PRINT APPROVAL REQUEST

- APPROVED AS SHOWN
- APPROVED AS MARKED
- NOT APPROVED COMMENTS \_\_\_\_\_

SIGNED \_\_\_\_\_ DATE \_\_\_\_\_

SYM.	CHANGE OR REVISION	DATE	BY
A	MOVED POWER UNIT, ADDED HOPPER PER CUSTOMERS SPECS & PLATFORM	8/19/16	CJ
B	CHANGED LAYOUT PER SITE VISIT	10/6/16	CJ
C	ADDED 12" SNOUT EXTENSION	10/11/16	CJ
D	ADDED DIMENSIONS FOR TRAILER LATCH SYSTEM	10/12/16	CJ
E	MOVED TRAILER LATCH DOWN	10/12/16	CJ
F	CHANGED STAND PER NEW TRAILER INFORMATION	10/14/16	CJ



TRAILER LAYOUT

TABLE 1 DISCONNECT & VARIABLE COMPONENTS  
 COMPONENT VALUES MARKED WITH ASTERISK (\*) ARE RECOMMENDED  
 VALUES ONLY FOR A 75HP MOTOR. INSTALLING CONTRACTOR MUST CONSULT  
 ALL LOCAL CODES FOR CONFORMITY.

VOLTAGE 3 $\phi$ -VAC	FULL LOAD MTR. CURRENT- AMP	SIZE OF (*) DISCONNECT	SIZE OF (*) FUSES (AMP)	RECOMM. (*) WIRE SIZE
460	96.0	200	125.0	2

**SP Industries, Inc.** *Systems that Work!* HOPKINS, MI

TOLERANCES  
 FRAC.  $\pm 1/16$   
 .XX  $\pm .015$   
 .XXX  $\pm .005$

TITLE:  
 PROPOSED INSTALLATION OF A CP-13001 ON A STAND  
 LOADING A OTR TRAILER

DRAWN: C. JOHNSON	DATE: 7/19/2016	USED ON: CP-13001	BUILD: SALES PROPOSAL	REV: F
TEMPLATE SIZE: D	JOB NO:	SCALE: 1:96	DRAWING NO: DP-27247F	
CHECKED BY:	WEIGHT: #	SHEET: 2 OF 2		