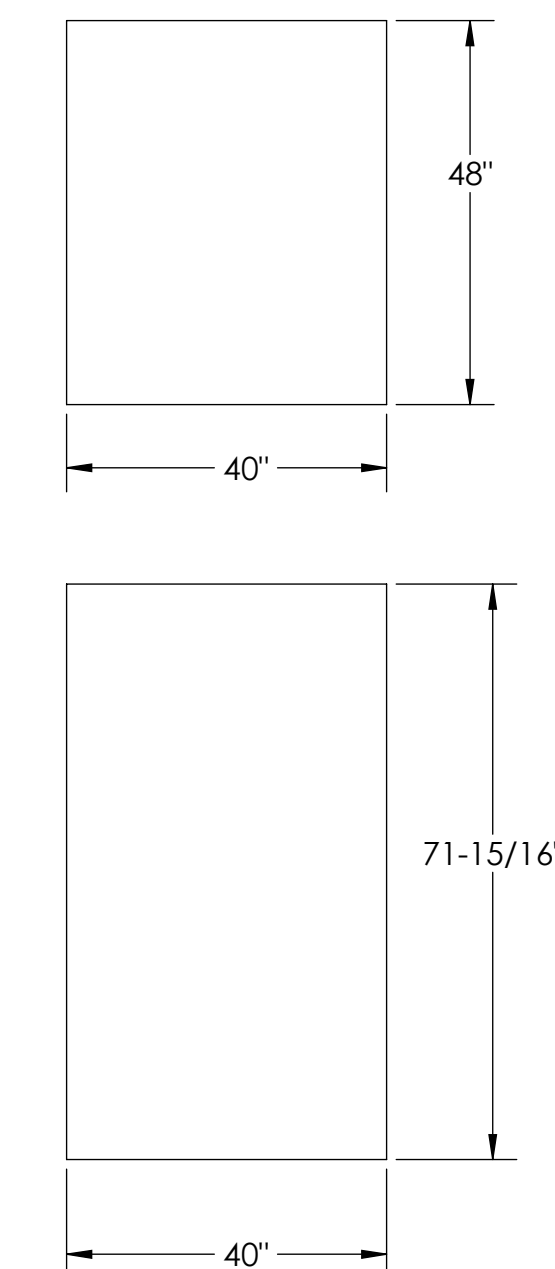
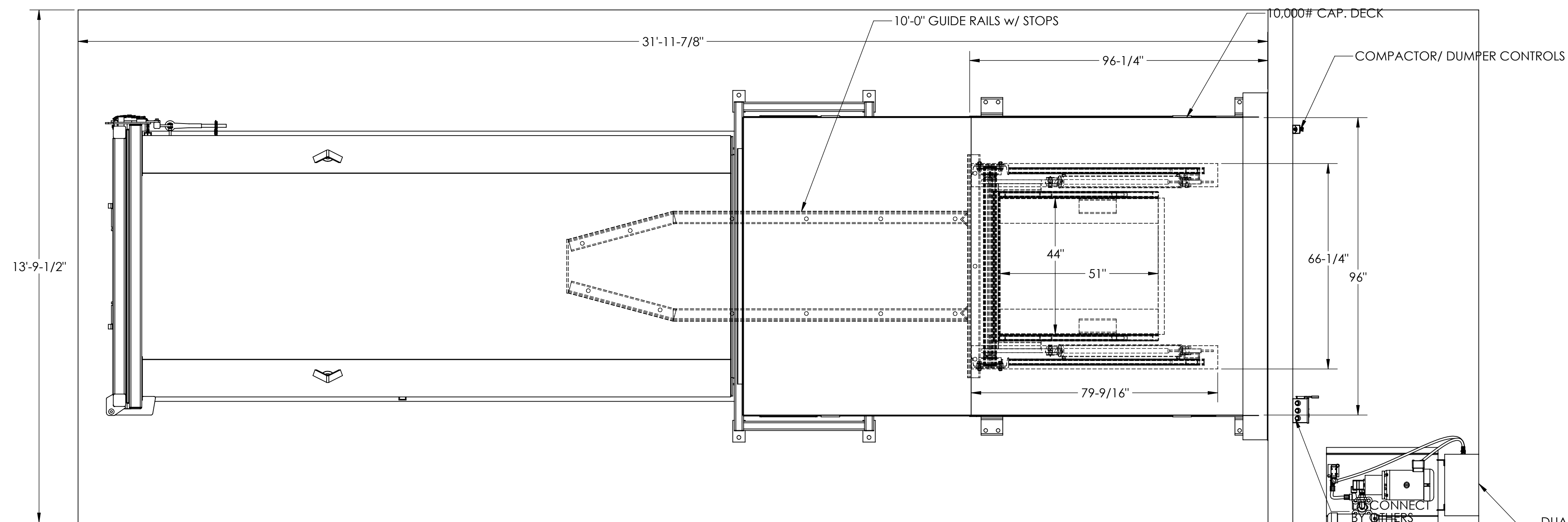


THIS DRAWING IS THE EXCLUSIVE PROPERTY OF SP INDUSTRIES, INC. AND EMBODIES A CONFIDENTIAL PROPRIETARY DESIGN. SP INDUSTRIES, INC. RESERVES ALL PROPRIETARY RIGHTS IN THIS DRAWING AND IN THE SUBJECT MATERIAL AND INVENTIONS DISCLOSED HEREIN, INCLUDING THE EXCLUSIVE RIGHT TO USE THE DRAWING FOR ALL PURPOSES. THE DRAWING IS SUBMITTED UNDER A CONFIDENTIAL RELATIONSHIP FOR A SPECIFIC PURPOSE, AND THE RECIPIENT AGREES BY ACCEPTING THIS DRAWING TO NOT TO ALLOW THIS DRAWING TO BE REPRODUCED OR TO SUPPLY OR DISCLOSE ANY INFORMATION REGARDING THE DRAWING OR THE SUBJECT MATTER THEREOF TO ANY OTHER PERSON WITHOUT THE EXPRESS WRITTEN CONSENT OF SP INDUSTRIES, INC.

SYM.	CHANGE OR REVISION	DATE	BY
A	CHANGED SCS-STD. TO SCS-LP	8/4/16	CJ



CUSTOMER'S CARTS
PLEASE VERIFY WITH CART IN RECEIVING AREA

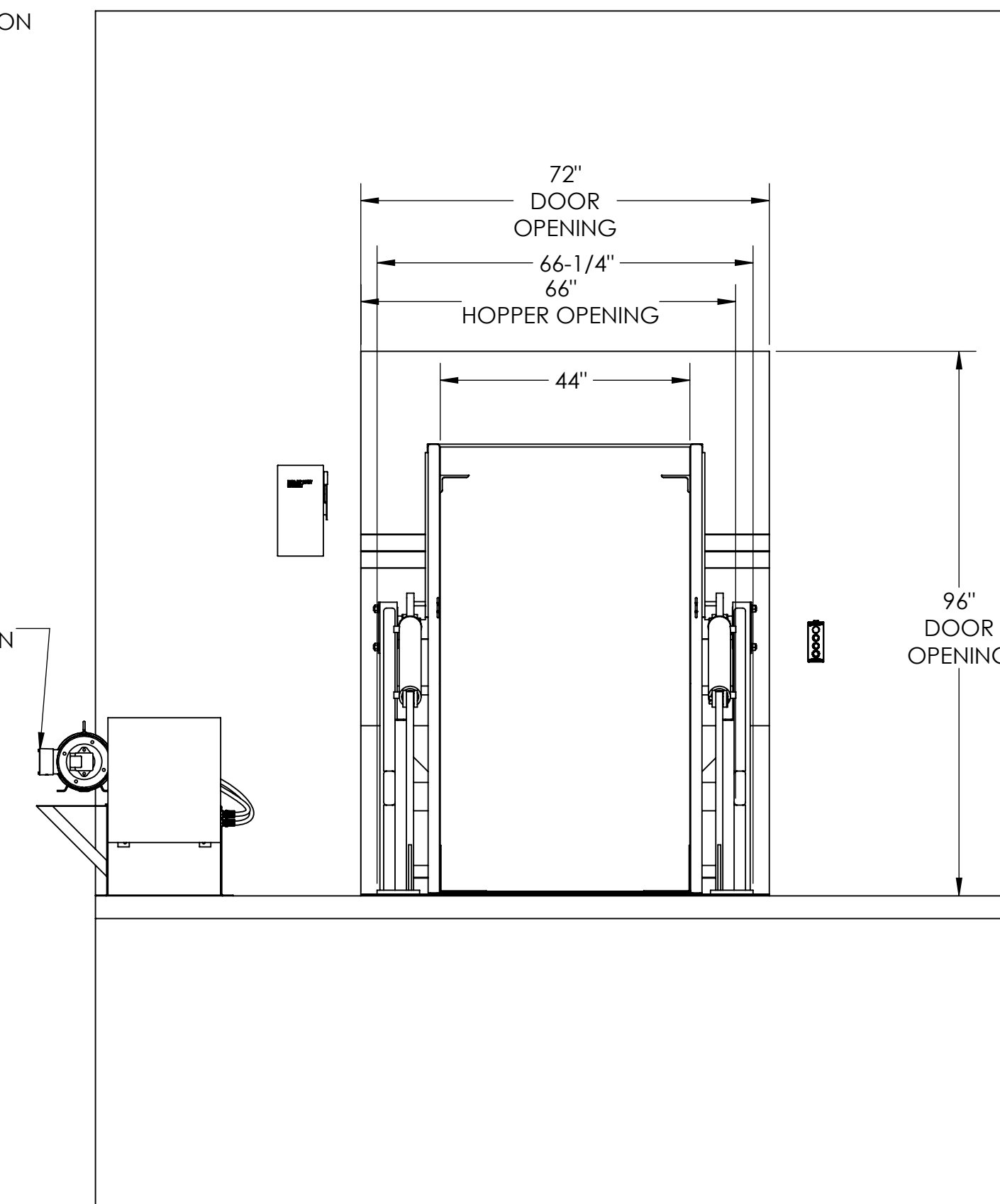
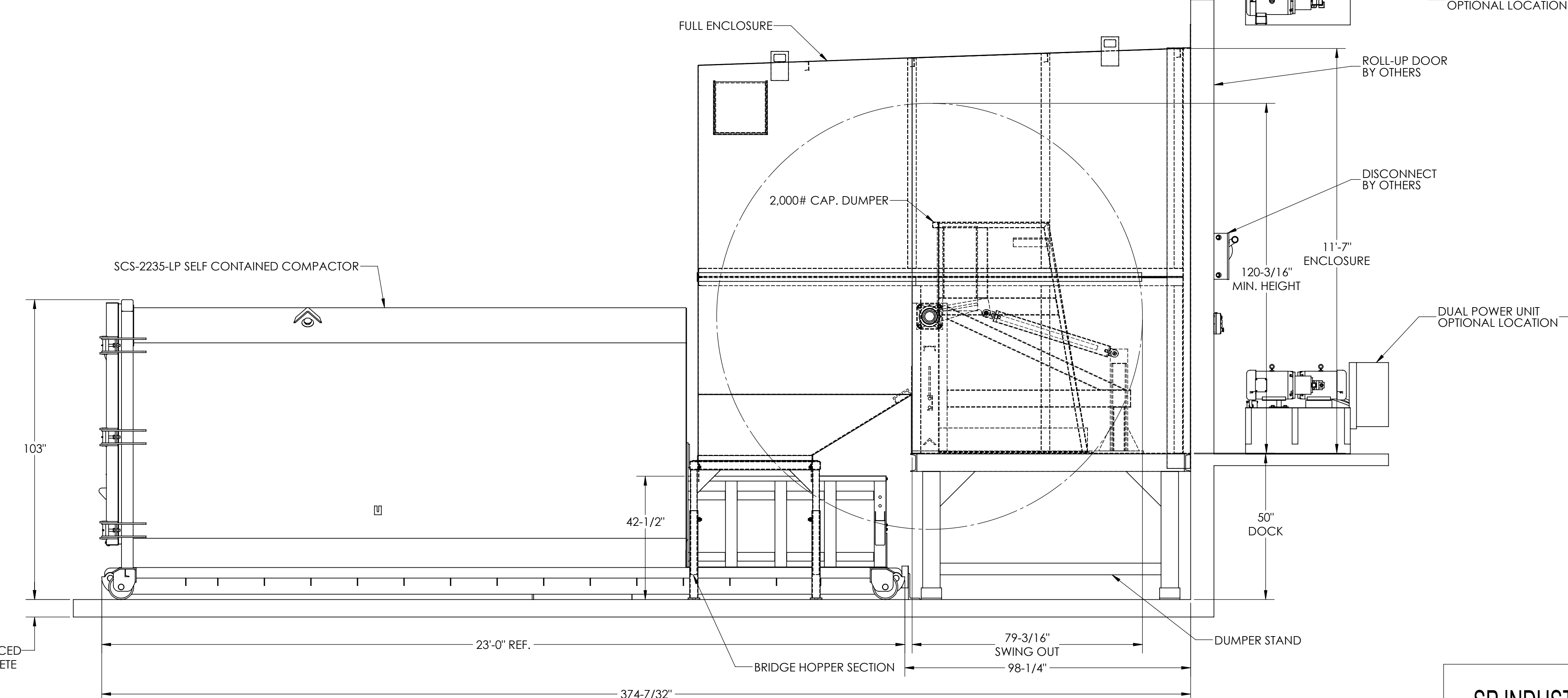


TABLE 1 DISCONNECT & VARIABLE COMPONENTS
COMPONENT VALUES MARKED WITH ASTERISK (*) ARE RECOMMENDED VALUES ONLY FOR A MOTOR. INSTALLING CONTRACTOR MUST CONSULT ALL LOCAL CODES FOR CONFORMITY.

VOLTAGE 3 Ø -VAC	FULL LOAD MTR. CURRENT- AMP	SIZE OF (*) DISCONNECT	SIZE OF (*) FUSES (AMP)	RECOMM. (*) WIRE SIZE
208	47.5	60	60.0	6
230	43.2	60	50.0	8
460	21.6	30	30.0	10

SP INDUSTRIES
HOPKINS, MICHIGAN 49328

PRINT APPROVAL REQUEST

APPROVED AS SHOWN
 APPROVED AS MARKED
 NOT APPROVED COMMENTS _____

SIGNED _____ DATE _____

ISP Industries, Inc. *Systems that Work!* HOPKINS, MI

TOLERANCES
FRAC. ±1/16
.XX ±.015
.XXX ±.005

TITLE: PROPOSED INSTALLATION OF A SCS-2235-LP SELF CONTAINED COMPACTOR AND ROLO-2000 DUMPING CUSTOMER'S CART

DRAWN: C. JOHNSON	DATE: 7/29/2016	USED ON: SCS-LP	BUILD: SALES PROPOSAL	REV: A
TEMPLATE SIZE: D	JOB NO:	SCALE: 1:24	DRAWING NO:	
CHECKED BY:	WEIGHT: #	SHEET: 1 OF 2	DP-27255A	

THIS DRAWING IS THE EXCLUSIVE PROPERTY OF SP INDUSTRIES, INC. AND EMBODIES A CONFIDENTIAL PROPRIETARY DESIGN. SP INDUSTRIES, INC. RESERVES ALL PROPRIETARY RIGHTS IN THIS DRAWING AND IN THE SUBJECT MATERIAL AND INVENTIONS DISCLOSED HEREIN, INCLUDING THE EXCLUSIVE RIGHT TO USE THE DRAWING FOR ALL PURPOSES. THIS DRAWING IS SUBMITTED UNDER A CONFIDENTIAL RELATIONSHIP FOR A SPECIFIC PURPOSE AND THE RECIPIENT AGREES BY ACCEPTING THIS DRAWING TO NOT TO ALLOW THIS DRAWING TO BE REPRODUCED OR TO SUPPLY OR DISCLOSE ANY INFORMATION REGARDING THIS DRAWING OR THE SUBJECT MATTER THEREOF TO ANY OTHER PERSON WITHOUT THE EXPRESS WRITTEN CONSENT OF SP INDUSTRIES, INC.

SYM.	CHANGE OR REVISION	DATE	BY
A	CHANGED SCS-STD. TO SCS-LP	8/4/16	CJ

SP INDUSTRIES
HOPKINS, MICHIGAN 49328

PRINT APPROVAL REQUEST

- APPROVED AS SHOWN
- APPROVED AS MARKED
- NOT APPROVED COMMENTS _____

SIGNED _____ DATE _____

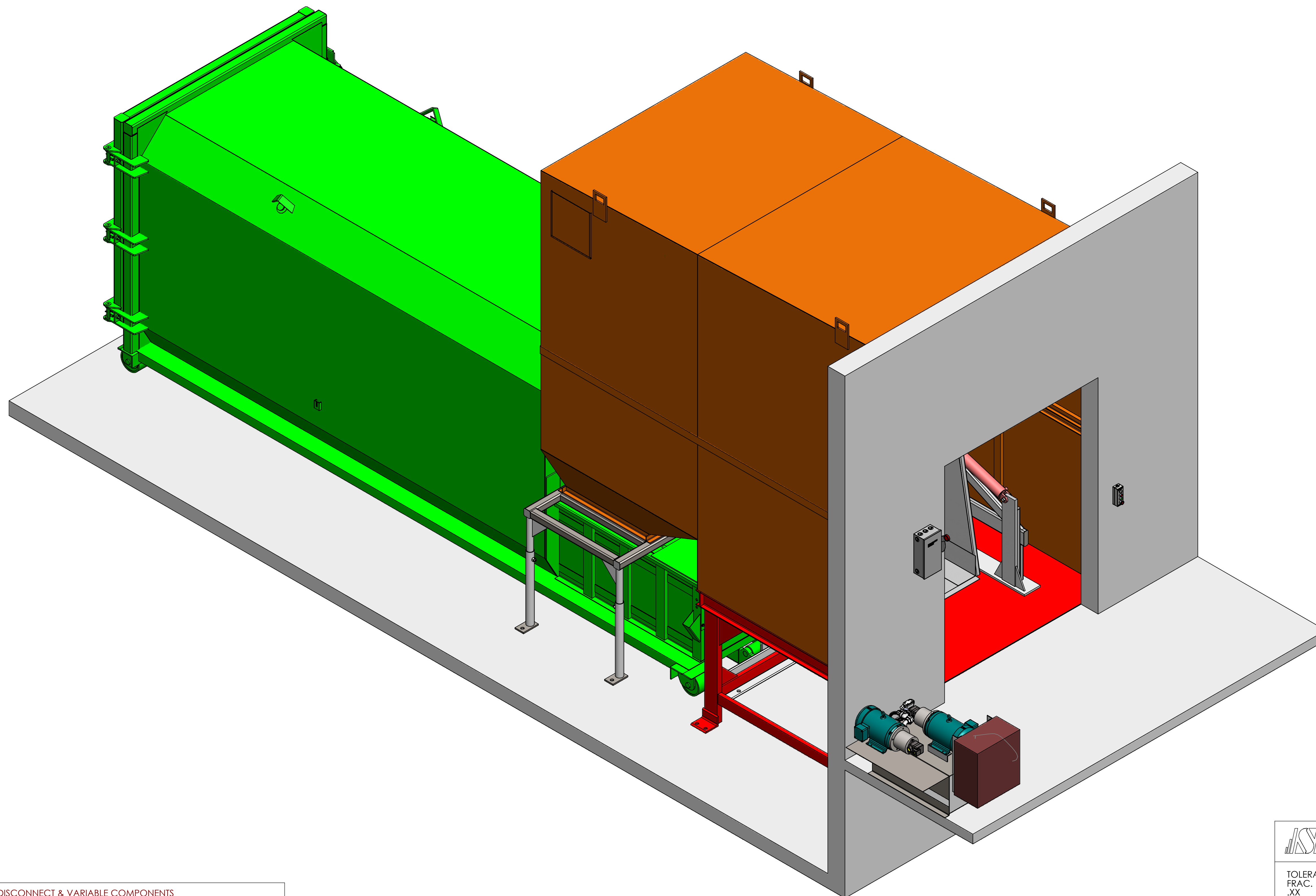


TABLE 1 DISCONNECT & VARIABLE COMPONENTS
COMPONENT VALUES MARKED WITH ASTERISK (*) ARE RECOMMENDED VALUES ONLY FOR A MOTOR. INSTALLING CONTRACTOR MUST CONSULT ALL LOCAL CODES FOR CONFORMITY.

VOLTAGE 3Ø-VAC	FULL LOAD MTR. CURRENT-AMP	SIZE OF (*) DISCONNECT	SIZE OF (*) FUSES (AMP)	RECOMM. (*) WIRE SIZE
208	47.5	60	60.0	6
230	43.2	60	50.0	8
460	21.6	30	30.0	10



TOLERANCES
FRAC. ±1/16
.XX ±.015
.XXX ±.005

TITLE: PROPOSED INSTALLATION OF A SCS-2235-LP SELF CONTAINED COMPACTOR AND ROLO-2000 DUMPING CUSTOMER'S CART

DRAWN: C. JOHNSON	DATE: 7/29/2016	USED ON: SCS-LP	BUILD: SALES PROPOSAL	REV: A
TEMPLATE SIZE: D	JOB NO:	SCALE: 1:24	DRAWING NO:	
CHECKED BY:	WEIGHT: #	SHEET: 2 OF 2	DP-27255A	