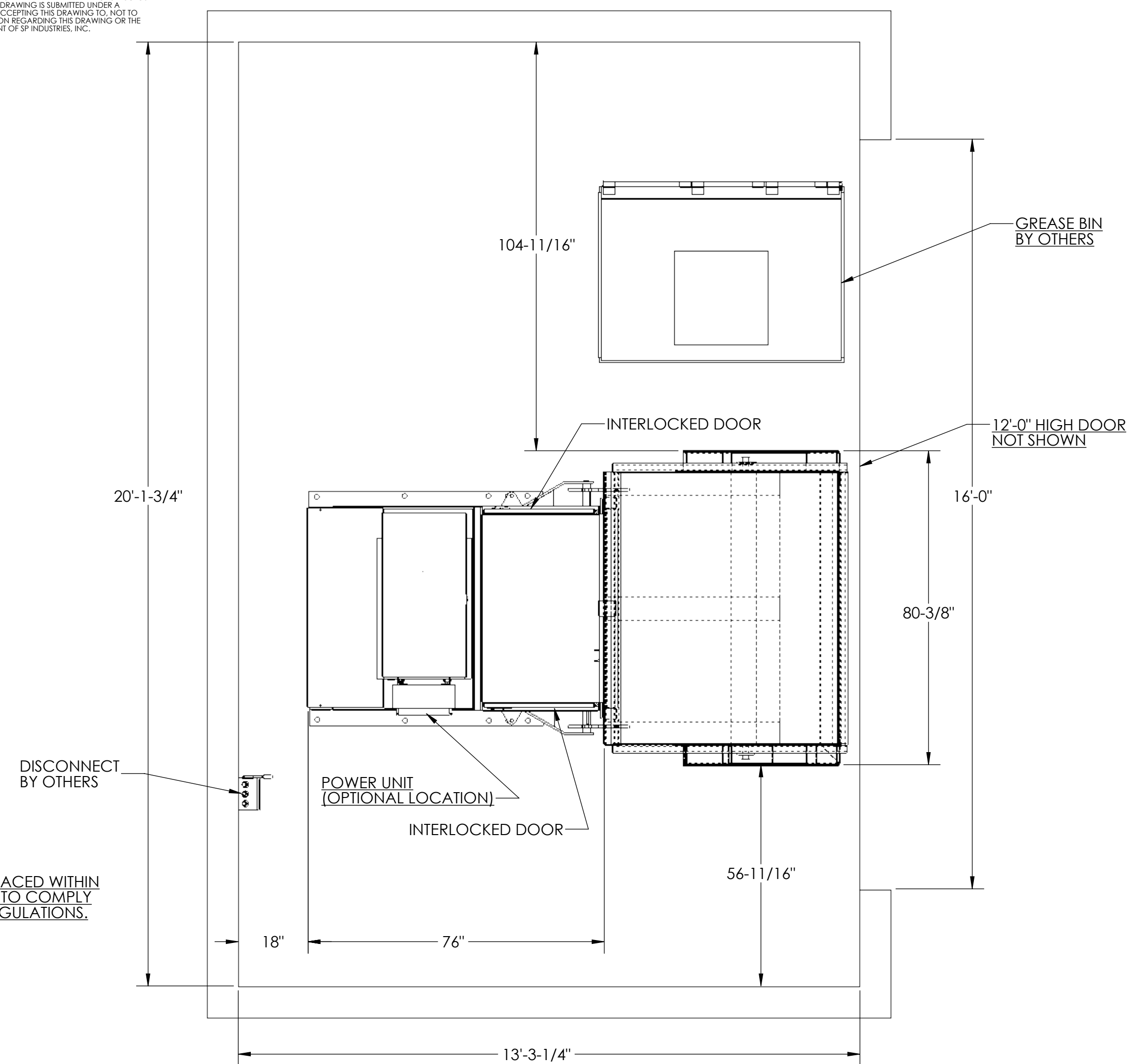
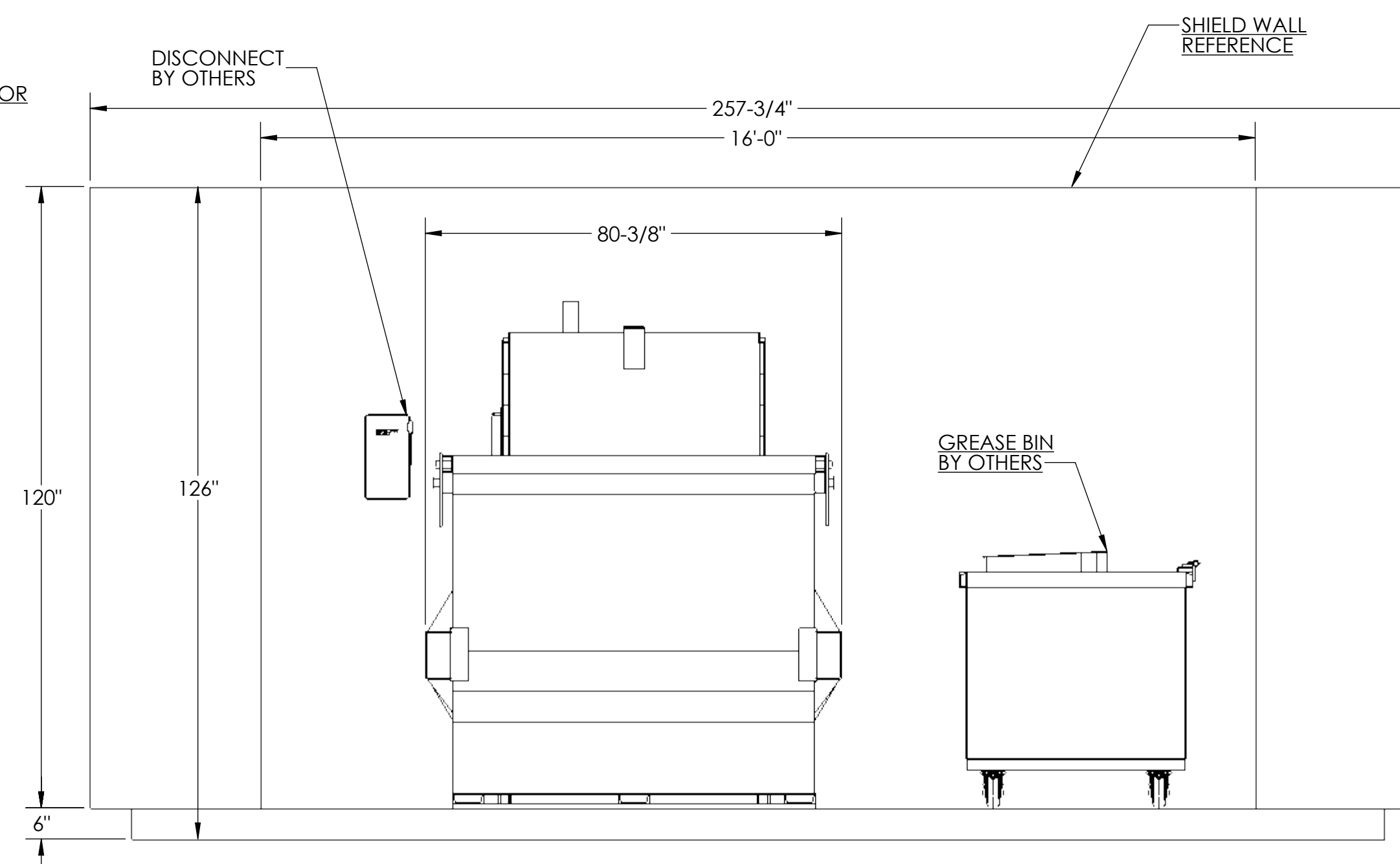
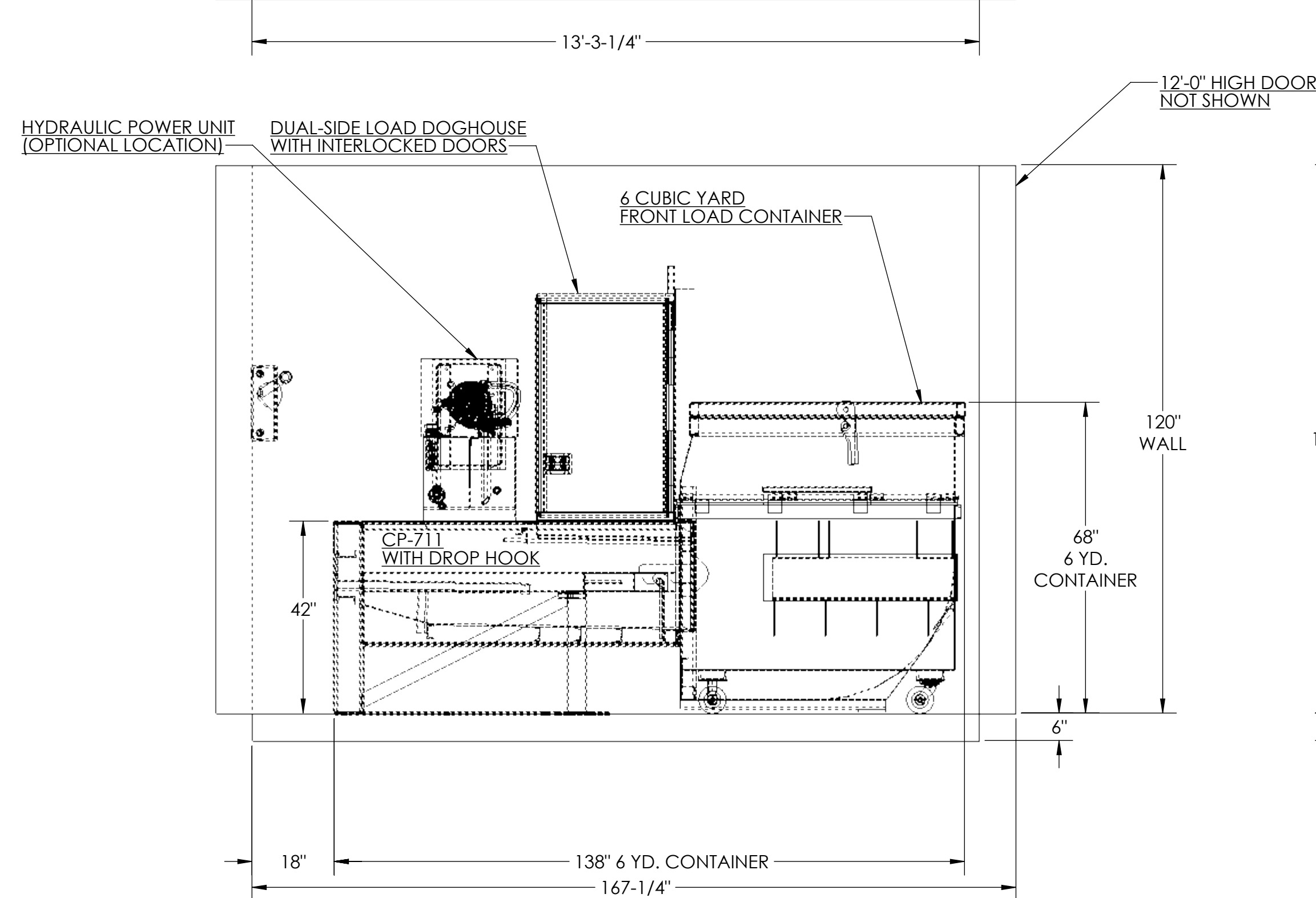
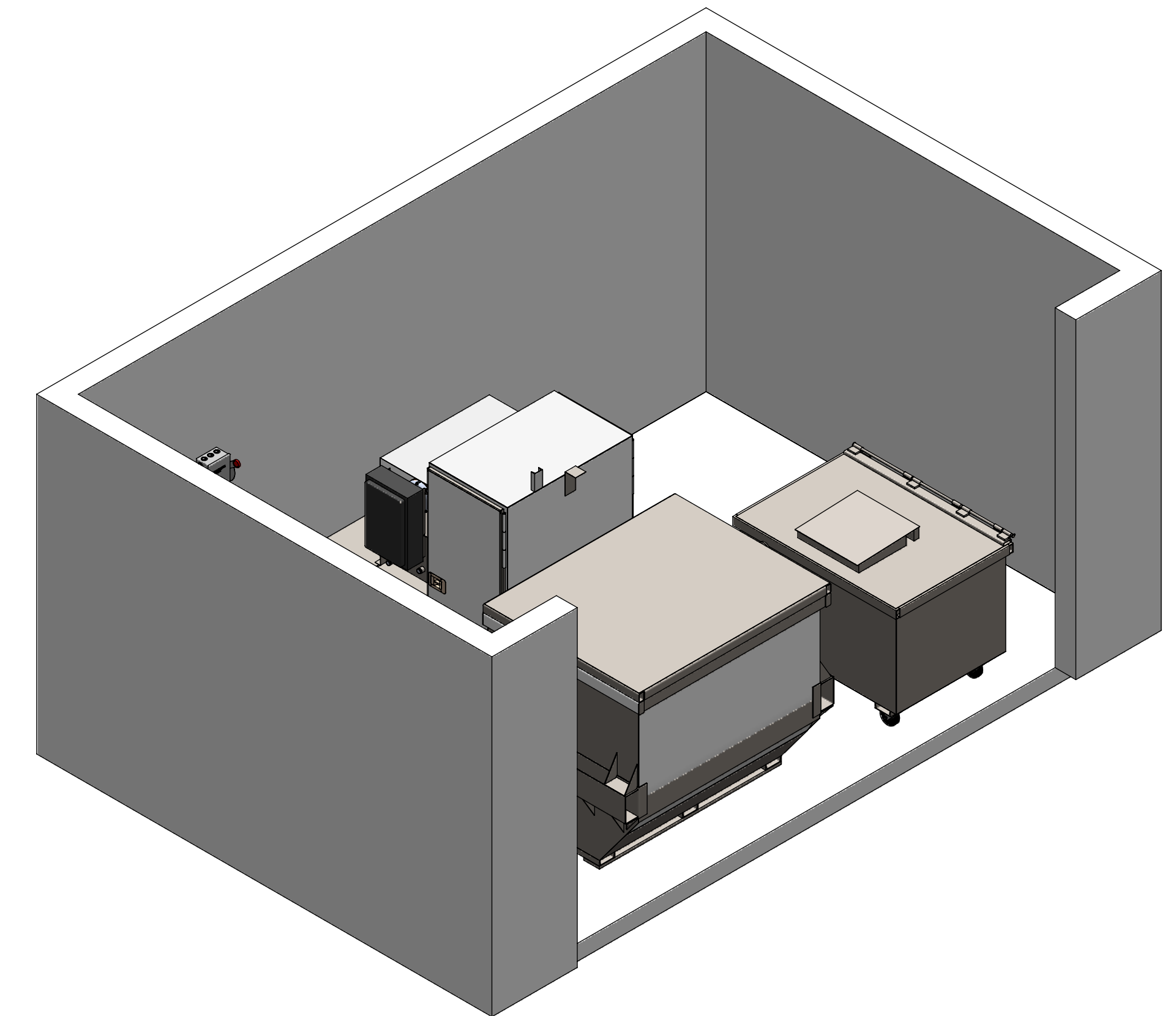


THIS DRAWING IS THE EXCLUSIVE PROPERTY OF SP INDUSTRIES, INC. AND EMBODIES A CONFIDENTIAL PROPRIETARY DESIGN. SP INDUSTRIES, INC. RESERVES ALL PROPRIETARY RIGHTS IN THIS DRAWING AND IN THE SUBJECT MATERIAL AND INVENTIONS DISCLOSED HEREIN, INCLUDING THE EXCLUSIVE RIGHT TO USE THE DRAWING FOR ALL PURPOSES. THIS DRAWING IS SUBMITTED UNDER A CONFIDENTIAL RELATIONSHIP FOR A SPECIFIC PURPOSE AND THE RECIPIENT AGREES BY ACCEPTING THIS DRAWING TO NOT TO ALLOW THIS DRAWING TO BE REPRODUCED OR TO SUPPLY OR DISCLOSE ANY INFORMATION REGARDING THIS DRAWING OR THE SUBJECT MATTER THEREOF TO ANY OTHER PERSON WITHOUT THE EXPRESS WRITTEN CONSENT OF SP INDUSTRIES, INC.

SYM.	CHANGE OR REVISION	DATE	BY
A	CHANGED ROOM SIZE AND CONTAINER TO MATCH NEW SPECS.	8/29/17	CJ
B	CHANGED MACHINE TO STANDARD HEIGHT, ADDED GREASE BIN	8/31/17	CJ



NOTE: DISCONNECT MUST BE PLACED WITHIN 8'-0" OF THE POWER UNIT TO COMPLY WITH OSHA AND ANSI REGULATIONS.



SP INDUSTRIES
 HOPKINS, MICHIGAN 49328

PRINT APPROVAL REQUEST

APPROVED AS SHOWN
 APPROVED AS MARKED
 NOT APPROVED COMMENTS _____

SIGNED _____ DATE _____

TABLE 1 DISCONNECT & VARIABLE COMPONENTS
 COMPONENT VALUES MARKED WITH ASTERISK (*) ARE RECOMMENDED VALUES ONLY FOR A 5 HP MOTOR. INSTALLING CONTRACTOR MUST CONSULT ALL LOCAL CODES FOR CONFORMITY.

VOLTAGE 3Ø-VAC	FULL LOAD MTR. CURRENT-AMP	SIZE OF (*) DISCONNECT	SIZE OF (*) FUSES (AMP)	RECOMM. (*) WIRE SIZE
208	16.7	30	20.0	10
230	15.2	30	20.0	10
460	7.6	30	10.0	14



TOLERANCES FRAC. ±1/16 .XX ±.015 .XXX ±.005	TITLE: PROPOSED INSTALLATION OF AN CP-711 WITH DROP HOOK SHOWN WITH 6 CU YD FRONT LOAD CONTAINER	DRAWN: C. JOHNSON	DATE: 2/15/2017	USED ON: CP-711	BUILD: SALES PROPOSAL	REV: B
TEMPLATE SIZE: D	SCALE: 1:24	CHECKED BY:	WEIGHT: #	SHEET: 1 OF 1	DP-27343B	