

THIS DRAWING IS THE EXCLUSIVE PROPERTY OF SP INDUSTRIES, INC. AND EMBODIES A CONFIDENTIAL PROPRIETARY DESIGN. SP INDUSTRIES, INC. RESERVES ALL PROPRIETARY RIGHTS IN THIS DRAWING AND IN THE SUBJECT MATERIAL AND INVENTIONS DISCLOSED HEREIN, INCLUDING THE EXCLUSIVE RIGHT TO USE THE DRAWING FOR ALL PURPOSES. THE DRAWING IS SUBMITTED UNDER A CONFIDENTIAL RELATIONSHIP FOR A SPECIFIC PURPOSE, AND THE RECIPIENT AGREES BY ACCEPTING THIS DRAWING TO NOT TO ALLOW THIS DRAWING TO BE REPRODUCED OR TO SUPPLY OR DISCLOSE ANY INFORMATION REGARDING THE DRAWING OR THE SUBJECT MATTER THEREOF TO ANY OTHER PERSON WITHOUT THE EXPRESS WRITTEN CONSENT OF SP INDUSTRIES, INC.

SYM.	CHANGE OR REVISION	DATE	BY
		-	

# SP INDUSTRIES

HOPKINS, MICHIGAN 49328

## PRINT APPROVAL REQUEST

- APPROVED AS SHOWN
- APPROVED AS MARKED
- NOT APPROVED COMMENTS \_\_\_\_\_

SIGNED \_\_\_\_\_ DATE \_\_\_\_\_

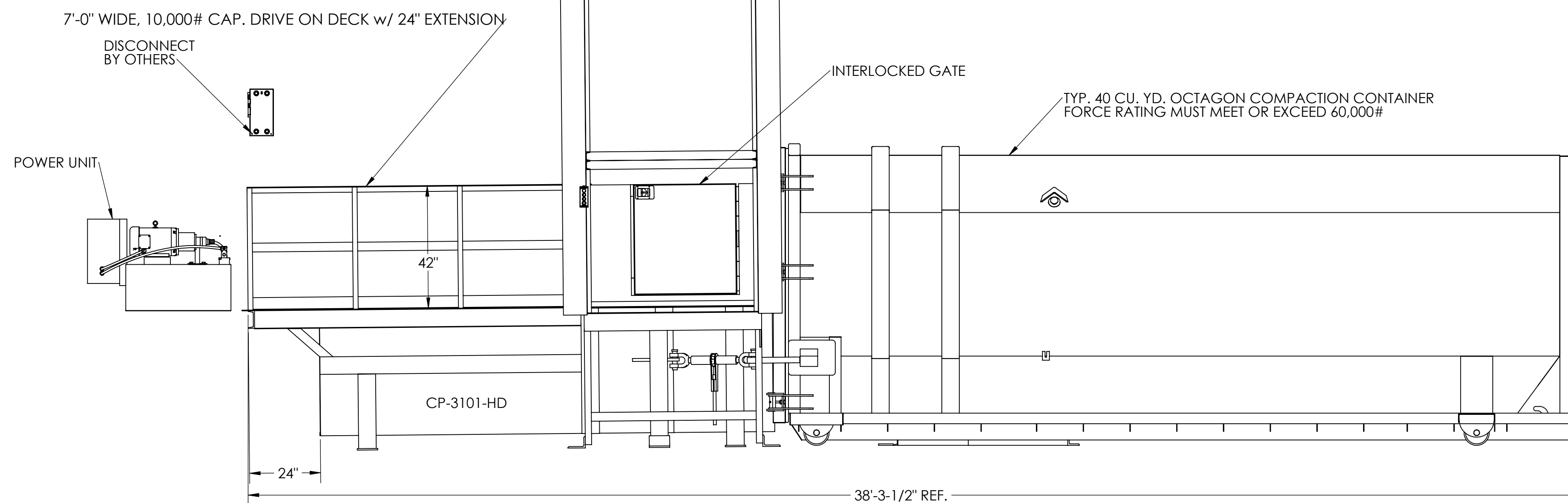
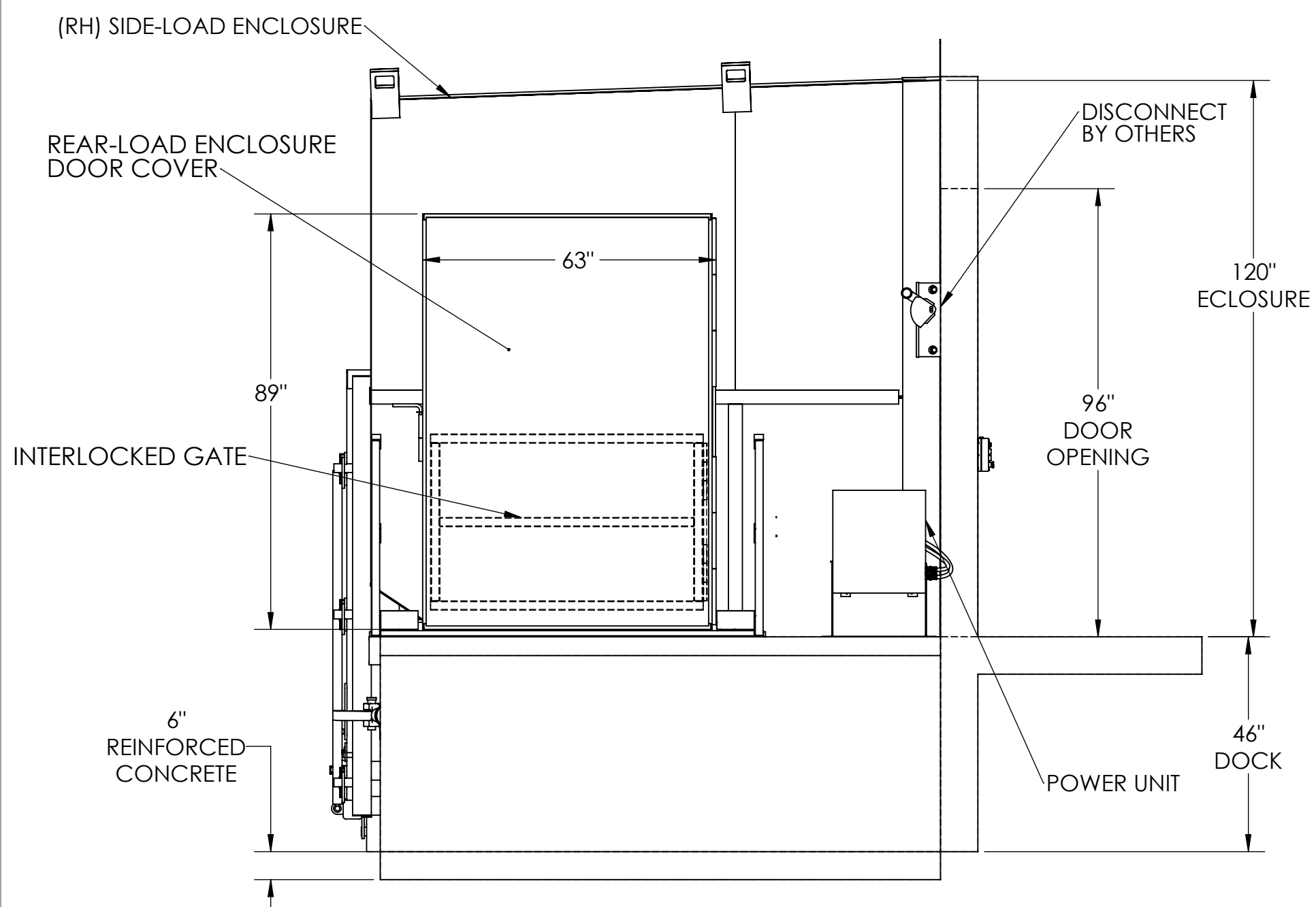
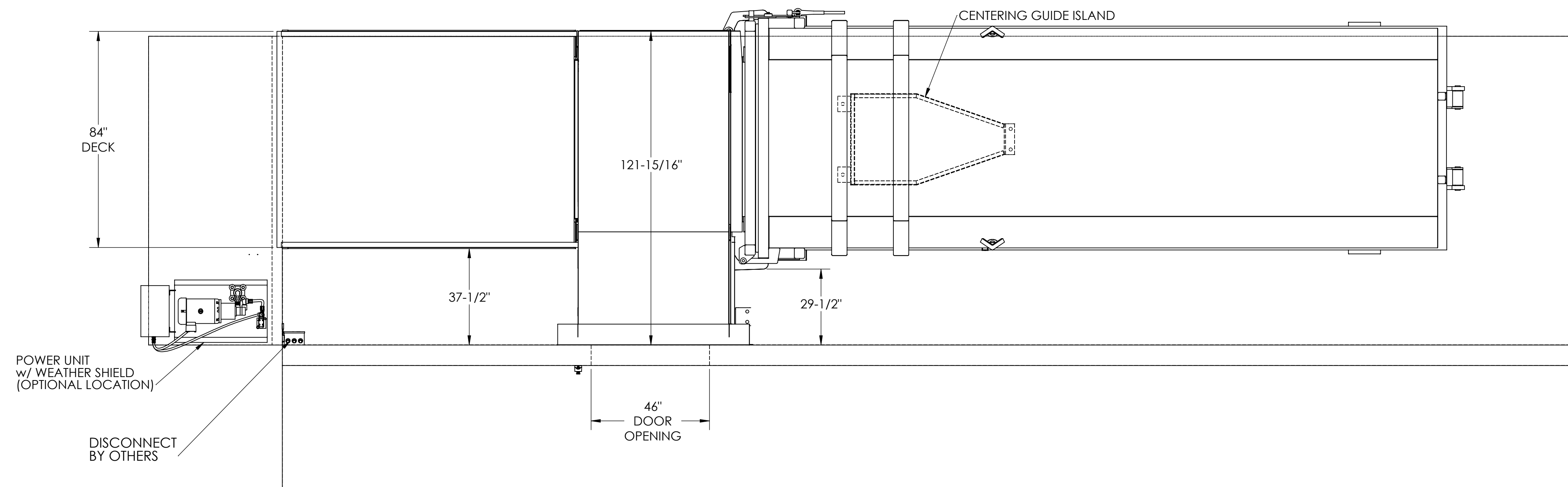


TABLE 1 DISCONNECT & VARIABLE COMPONENTS  
 COMPONENT VALUES MARKED WITH ASTERISK (\*) ARE RECOMMENDED  
 VALUES ONLY FOR A 15HP MOTOR. INSTALLING CONTRACTOR MUST CONSULT  
 ALL LOCAL CODES FOR CONFORMITY.

VOLTAGE 3∅-VAC	FULL LOAD MTR. CURRENT-AMP	SIZE OF (*) DISCONNECT	SIZE OF (*) FUSES (AMP)	RECOMM. (*) WIRE SIZE
208	46.2	60	60.0	6
230	42.0	60	50.0	8
460	21.0	30	25.0	10



TOLERANCES FRAC. ±1/16 .XX ±.015 .XXX ±.005		TITLE: PROPOSED INSTALLATION OF AN CP-3101HD w/ SPECIAL SIDE LOAD ENCLOSURE & 7'-0" WIDE 10,000 CAP. DECK		
DRAWN: C. JOHNSON	DATE: 7/20/2017	USED ON: CP-3101-HD	BUILD: SALES PROPOSAL	REV: -
TEMPLATE SIZE: D	JOB NO:	SCALE: 1:28	DRAWING NO:	
CHECKED BY:	WEIGHT: #	SHEET: 1 OF 2	DP-27414	

THIS DRAWING IS THE EXCLUSIVE PROPERTY OF SP INDUSTRIES, INC. AND EMBODIES A CONFIDENTIAL PROPRIETARY DESIGN. SP INDUSTRIES, INC. RESERVES ALL PROPRIETARY RIGHTS IN THIS DRAWING AND IN THE SUBJECT MATERIAL AND INVENTIONS DISCLOSED HEREIN, INCLUDING THE EXCLUSIVE RIGHT TO USE THE DRAWING FOR ALL PURPOSES. THIS DRAWING IS SUBMITTED UNDER A CONFIDENTIAL RELATIONSHIP FOR A SPECIFIC PURPOSE, AND THE RECIPIENT AGREES BY ACCEPTING THIS DRAWING TO NOT TO ALLOW THIS DRAWING TO BE REPRODUCED OR TO SUPPLY OR DISCLOSE ANY INFORMATION REGARDING THE DRAWING OR THE SUBJECT MATTER THEREOF TO ANY OTHER PERSON WITHOUT THE EXPRESS WRITTEN CONSENT OF SP INDUSTRIES, INC.

SYM.	CHANGE OR REVISION	DATE	BY
		-	

# SP INDUSTRIES

HOPKINS, MICHIGAN 49328

## PRINT APPROVAL REQUEST

- APPROVED AS SHOWN
- APPROVED AS MARKED
- NOT APPROVED COMMENTS \_\_\_\_\_

SIGNED \_\_\_\_\_ DATE \_\_\_\_\_

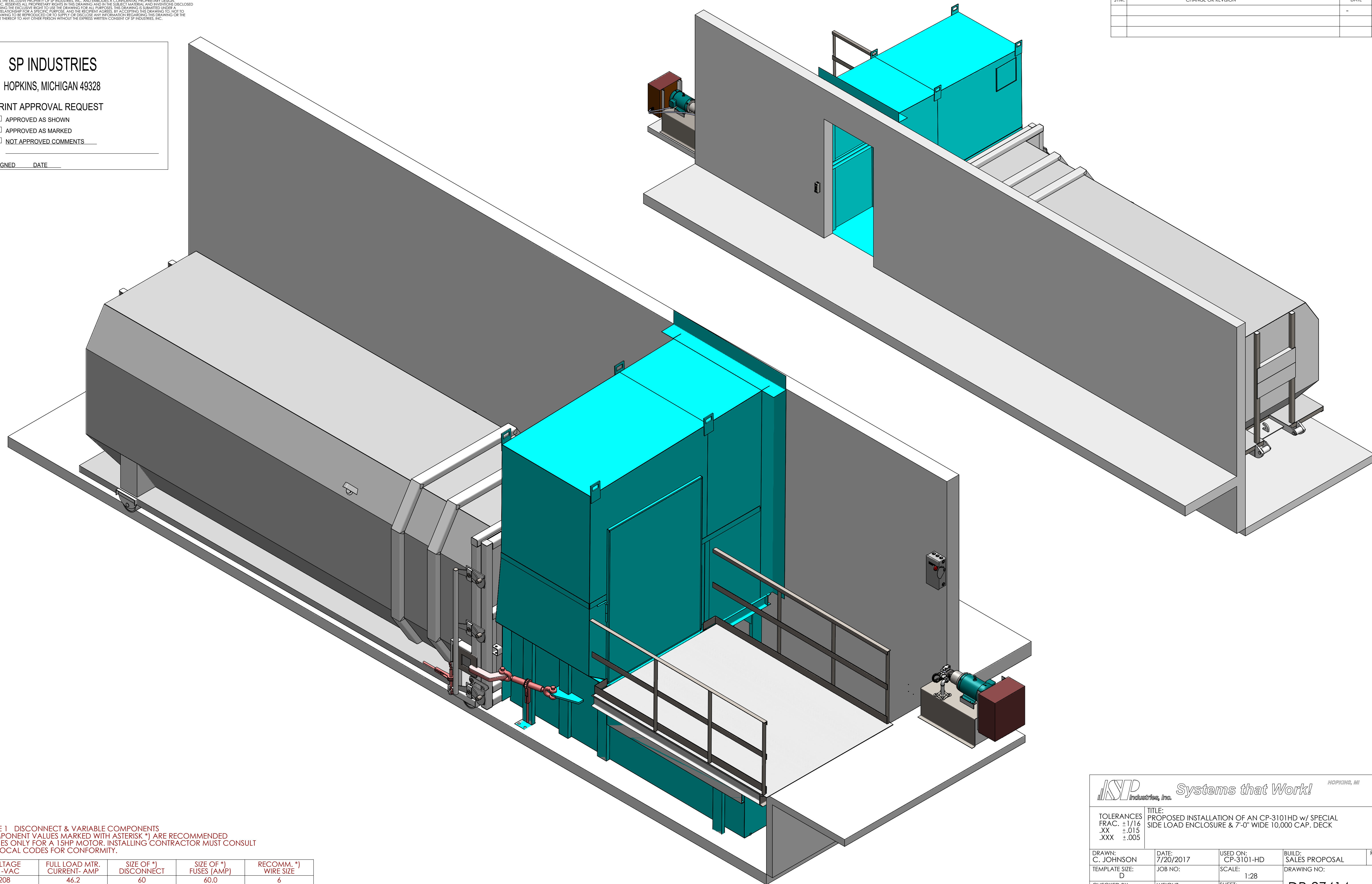


TABLE 1 DISCONNECT & VARIABLE COMPONENTS  
 COMPONENT VALUES MARKED WITH ASTERISK (\*) ARE RECOMMENDED  
 VALUES ONLY FOR A 15HP MOTOR. INSTALLING CONTRACTOR MUST CONSULT  
 ALL LOCAL CODES FOR CONFORMITY.

VOLTAGE 3 $\phi$ -VAC	FULL LOAD MTR. CURRENT- AMP	SIZE OF (*) DISCONNECT	SIZE OF (*) FUSES (AMP)	RECOMM. (*) WIRE SIZE
208	46.2	60	60.0	6
230	42.0	60	50.0	8
460	21.0	30	25.0	10

**ISP** Industries, Inc. *Systems that Work!* HOPKINS, MI

TOLERANCES FRAC. $\pm 1/16$ .XX $\pm .015$ .XXX $\pm .005$	TITLE: PROPOSED INSTALLATION OF AN CP-3101HD w/ SPECIAL SIDE LOAD ENCLOSURE & 7'-0" WIDE 10,000 CAP. DECK				REV: -
DRAWN: C. JOHNSON	DATE: 7/20/2017	USED ON: CP-3101-HD	BUILD: SALES PROPOSAL		
TEMPLATE SIZE: D	JOB NO:	SCALE: 1:28	DRAWING NO:		
CHECKED BY:	WEIGHT: #	SHEET: 2 OF 2	DP-27414		