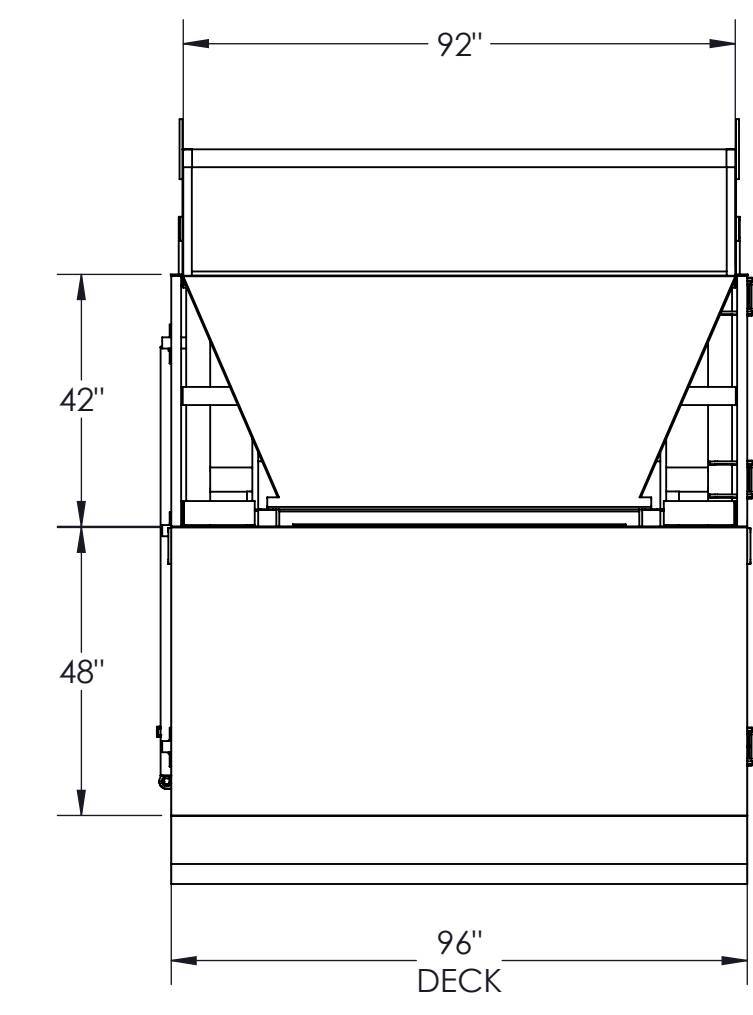
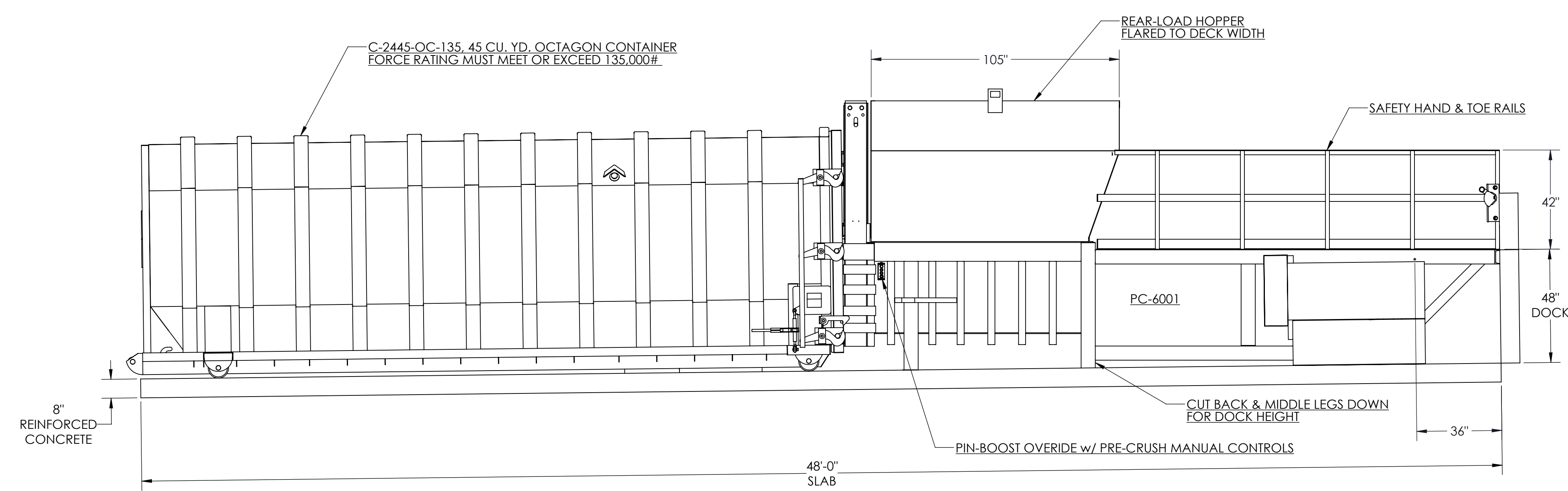
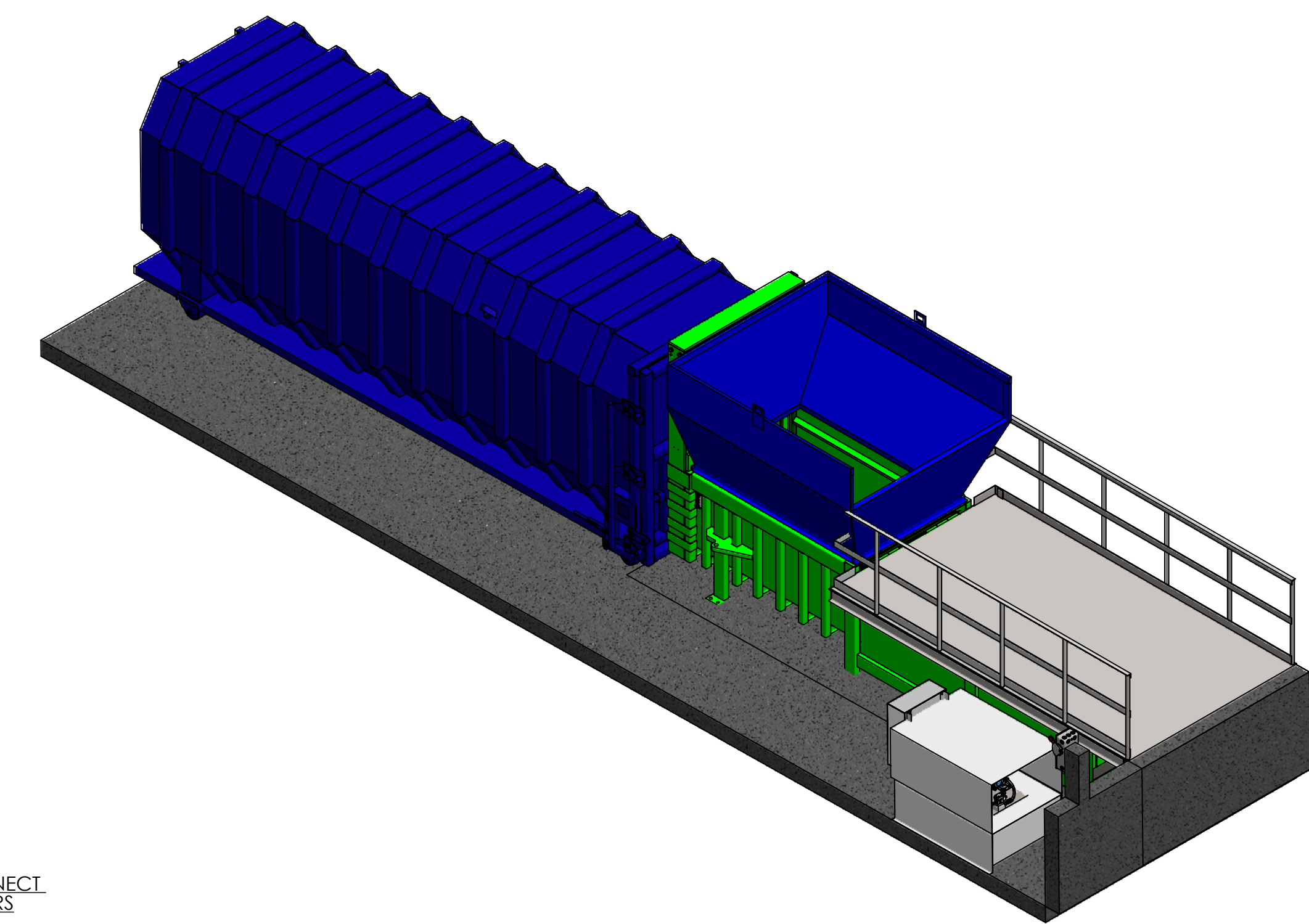
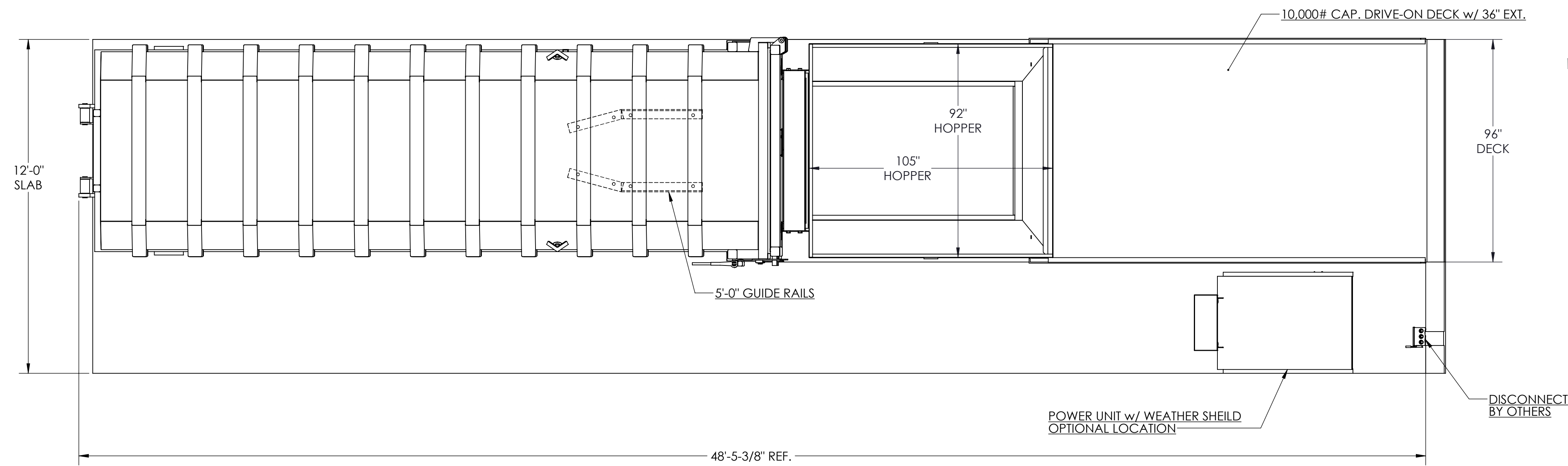


THIS DRAWING IS THE EXCLUSIVE PROPERTY OF SP INDUSTRIES, INC. AND EMBODIES A CONFIDENTIAL PROPRIETARY DESIGN. SP INDUSTRIES, INC. RESERVES ALL PROPRIETARY RIGHTS IN THIS DRAWING AND IN THE SUBJECT MATERIAL AND INVENTIONS DISCLOSED HEREIN, INCLUDING THE EXCLUSIVE RIGHT TO USE THE DRAWING FOR ALL PURPOSES. THE DRAWING IS SUBMITTED UNDER A CONFIDENTIAL RELATIONSHIP FOR A SPECIFIC PURPOSE, AND THE RECIPIENT AGREES BY ACCEPTING THIS DRAWING TO NOT TO ALLOW THIS DRAWING TO BE REPRODUCED OR TO SUPPLY OR DISCLOSE ANY INFORMATION REGARDING THE DRAWING OR THE SUBJECT MATTER THEREOF TO ANY OTHER PERSON WITHOUT THE EXPRESS WRITTEN CONSENT OF SP INDUSTRIES, INC.

SYM.	CHANGE OR REVISION	DATE	BY



SP INDUSTRIES
 HOPKINS, MICHIGAN 49328
 PRINT APPROVAL REQUEST
 APPROVED AS SHOWN
 APPROVED AS MARKED
 NOT APPROVED COMMENTS

 SIGNED DATE

VALUES ARE FOR A 30 HP MOTOR

TABLE 1 DISCONNECT & VARIABLE COMPONENTS
 COMPONENT VALUES MAKED WITH * ARE RECOMMENDED
 VALUES ONLY. INSTALLING CONTRACTOR MUST CONSULT
 ALL LOCAL CODES FOR CONFORMITY.

VOLTAGE 3∅ - VAC	FULL LOAD MTR. CURRENT - AMP	SIZE OF * DISCONNECT	SIZE OF * FUSES (AMP)	RECOMM. * WIRE SIZE
460	40	60	50	8

ISP Industries, Inc. *Systems that Work!* HOPKINS, MI

TOLERANCES
 FRAC. ±1/16
 .XX ±.015
 .XXX ±.005

TITLE:
 PROPOSED INSTALLATION OF A PC-6001 w/ REAR-LOAD
 HOPPER AND 8'-0" WIDE 10,000# DECK WITH 36" EXTENSION
 AT A 48" DOCK

DRAWN: C. JOHNSON	DATE: 8/3/2017	USED ON: PC-6001	BUILD: SALES PROPOSAL	REV: -
TEMPLATE SIZE: D	JOB NO:	SCALE: 1:32	DRAWING NO:	
CHECKED BY:	WEIGHT: #	SHEET: 1 OF 1	DP-27423	