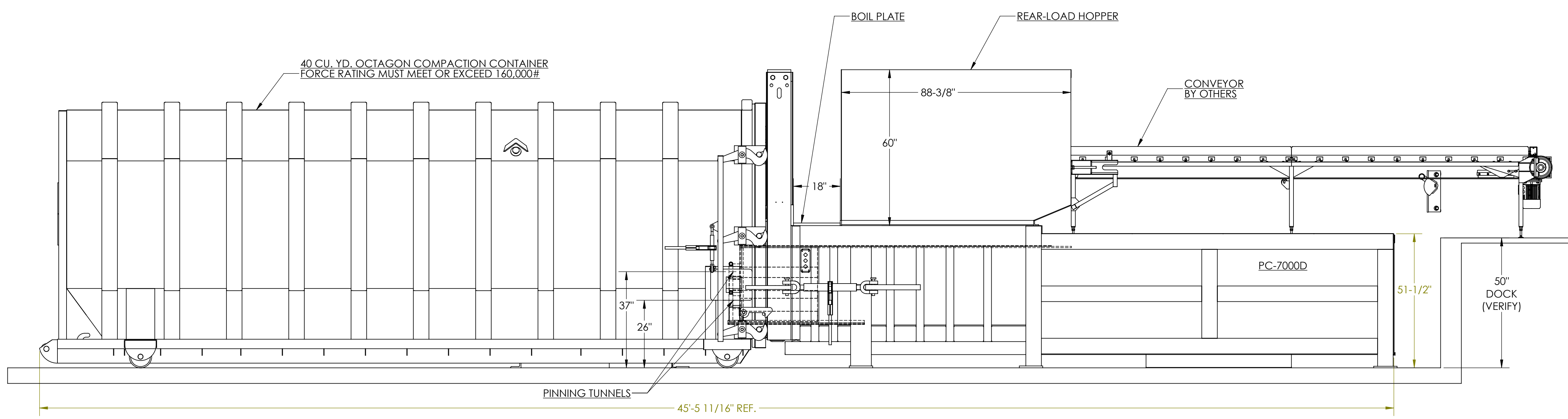
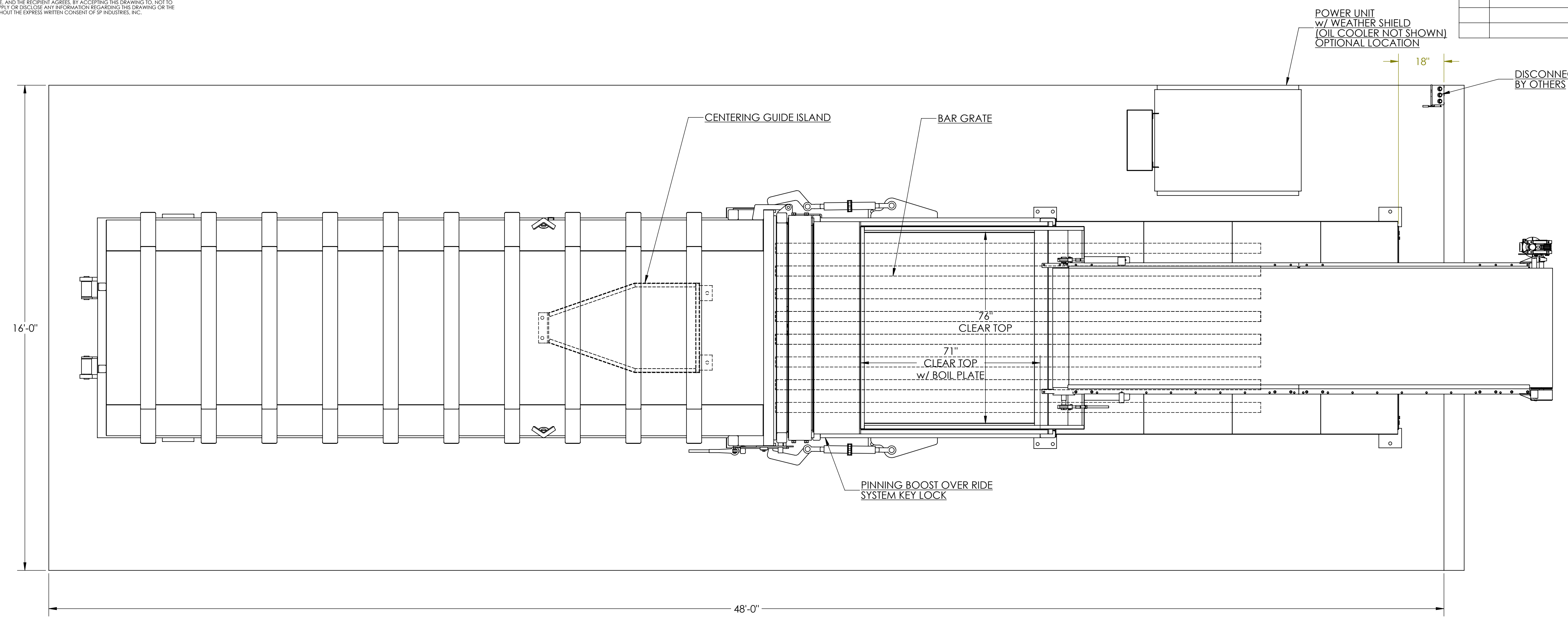


THIS DRAWING IS THE EXCLUSIVE PROPERTY OF SP INDUSTRIES, INC. AND EMBODIES A CONFIDENTIAL PROPRIETARY DESIGN. SP INDUSTRIES, INC. RESERVES ALL PROPRIETARY RIGHTS IN THIS DRAWING AND IN THE SUBJECT MATERIAL AND INVENTIONS DISCLOSED HEREIN, INCLUDING THE EXCLUSIVE RIGHT TO USE THE DRAWING FOR ALL PURPOSES. THIS DRAWING IS SUBMITTED UNDER A CONFIDENTIAL RELATIONSHIP FOR A SPECIFIC PURPOSE, AND THE RECIPIENT AGREES, BY ACCEPTING THIS DRAWING TO NOT TO ALLOW THIS DRAWING TO BE REPRODUCED OR TO SUPPLY OR DISCLOSE ANY INFORMATION REGARDING THIS DRAWING OR THE SUBJECT MATTER THEREOF TO ANY OTHER PERSON WITHOUT THE EXPRESS WRITTEN CONSENT OF SP INDUSTRIES, INC.

SYM.	CHANGE OR REVISION	DATE	BY



**SP INDUSTRIES**  
 HOPKINS, MICHIGAN 49328

**PRINT APPROVAL REQUEST**

APPROVED AS SHOWN  
 APPROVED AS MARKED  
 NOT APPROVED COMMENTS \_\_\_\_\_

SIGNED \_\_\_\_\_ DATE \_\_\_\_\_

TABLE 1 DISCONNECT & VARIABLE COMPONENTS  
 COMPONENT VALUES MARKED WITH ASTERISK (\*) ARE RECOMMENDED  
 VALUES ONLY FOR A MOTOR. INSTALLING CONTRACTOR MUST CONSULT  
 ALL LOCAL CODES FOR CONFORMITY.

VOLTAGE 3Ø-VAC	FULL LOAD MTR. CURRENT- AMP	SIZE OF (*) DISCONNECT	SIZE OF (*) FUSES (AMP)	RECOMM. (*) WIRE SIZE
230	80.0	100	100.0	3
460	40.0	60	50.0	8

**KSP Industries, Inc.** *Systems that Work!* HOPKINS, MI

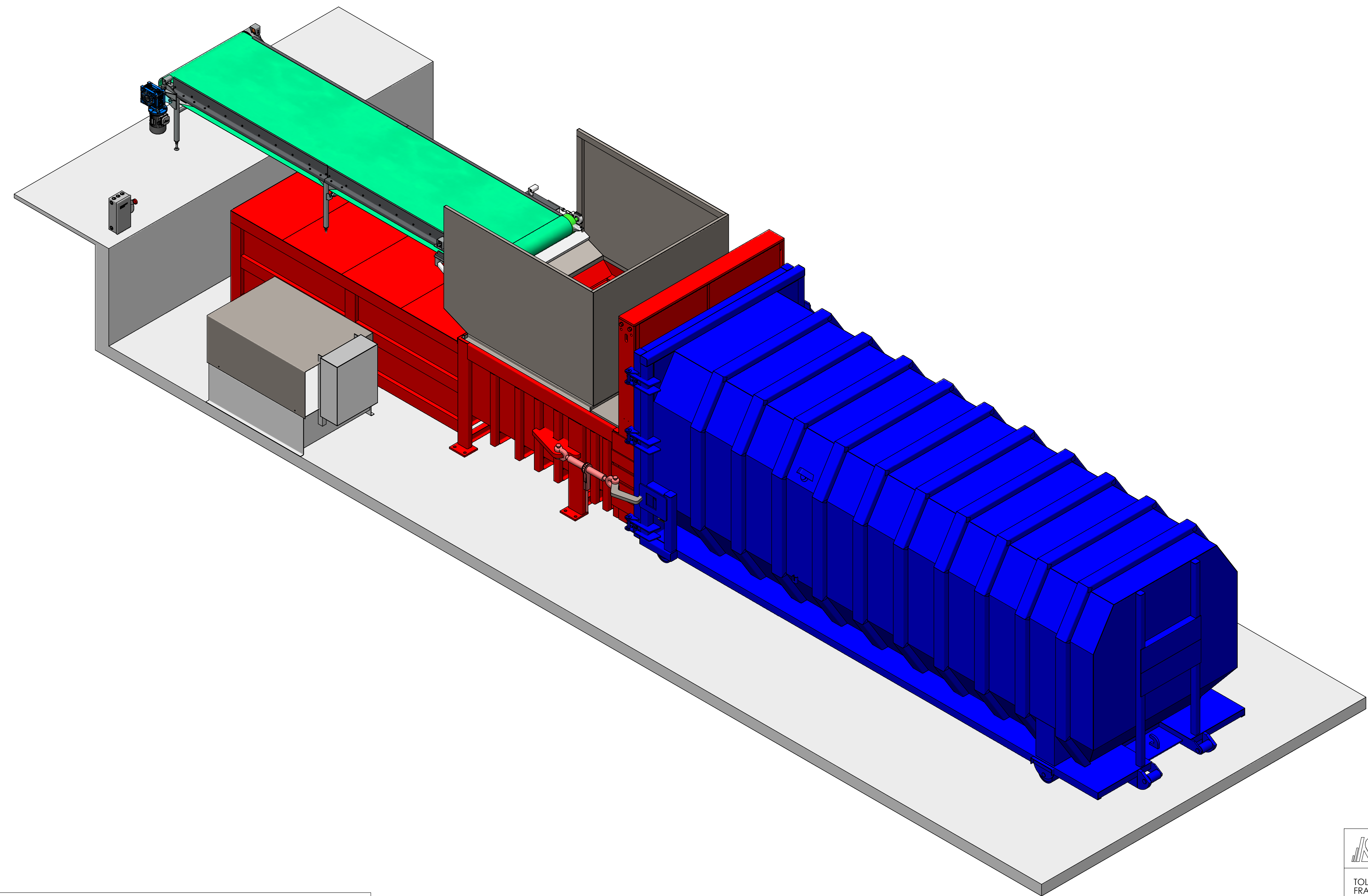
TOLERANCES  
 FRAC. ±1/16  
 .XX ±.015  
 .XXX ±.005

TITLE:  
 PROPOSED INSTALLATION OF A PC-7000D WITH A REAR-LOAD HOPPER

DRAWN BY: C. JOHNSON	DATE: 10/11/2017	USED ON: PC-7000D	BUILD: SALES PROPOSAL	REV:
TEMPLATE SIZE: D	JOB NO:	SCALE: 1:24	DRAWING NO:	
CHECKED BY:	WEIGHT: #	SHEET: 1 OF 2		<b>DP-27458</b>

THIS DRAWING IS THE EXCLUSIVE PROPERTY OF SP INDUSTRIES, INC. AND EMBODIES A CONFIDENTIAL PROPRIETARY DESIGN. SP INDUSTRIES, INC. RESERVES ALL PROPRIETARY RIGHTS IN THIS DRAWING AND IN THE SUBJECT MATERIAL AND INVENTIONS DISCLOSED HEREIN, INCLUDING THE EXCLUSIVE RIGHT TO USE THE DRAWING FOR ALL PURPOSES. THIS DRAWING IS SUBMITTED UNDER A CONFIDENTIAL RELATIONSHIP FOR A SPECIFIC PURPOSE, AND THE RECIPIENT AGREES, BY ACCEPTING THIS DRAWING TO NOT TO ALLOW THIS DRAWING TO BE REPRODUCED OR TO SUPPLY OR DISCLOSE ANY INFORMATION REGARDING THE DRAWING OR THE SUBJECT MATTER THEREOF TO ANY OTHER PERSON WITHOUT THE EXPRESS WRITTEN CONSENT OF SP INDUSTRIES, INC.

SYM.	CHANGE OR REVISION	DATE	BY



**SP INDUSTRIES**  
 HOPKINS, MICHIGAN 49328

**PRINT APPROVAL REQUEST**

APPROVED AS SHOWN  
 APPROVED AS MARKED  
 NOT APPROVED. COMMENTS \_\_\_\_\_

SIGNED \_\_\_\_\_ DATE \_\_\_\_\_

**KSP** Industries, Inc. *Systems that Work!* HOPKINS, MI

TOLERANCES  
 FRAC. ±1/16  
 .XX ±.015  
 .XXX ±.005

TITLE:  
 PROPOSED INSTALLATION OF A PC-7000D WITH A REAR-LOAD HOPPER

DRAWN BY: C. JOHNSON	DATE: 10/11/2017	USED ON: PC-7000D	BUILD: SALES PROPOSAL	REV:
TEMPLATE SIZE: D	JOB NO:	SCALE: 1:24	DRAWING NO:	
CHECKED BY:	WEIGHT: #	SHEET: 2 OF 2	DP-27458	

TABLE 1 DISCONNECT & VARIABLE COMPONENTS  
 COMPONENT VALUES MARKED WITH ASTERISK (\*) ARE RECOMMENDED  
 VALUES ONLY FOR A MOTOR. INSTALLING CONTRACTOR MUST CONSULT  
 ALL LOCAL CODES FOR CONFORMITY.

VOLTAGE 3Ø-VAC	FULL LOAD MTR. CURRENT- AMP	SIZE OF (*) DISCONNECT	SIZE OF (*) FUSES (AMP)	RECOMM. (*) WIRE SIZE
230	80.0	100	100.0	3
460	40.0	60	50.0	8